



Price list

valid from

January 9th 2023



Prices are correct at date of issue

However, over time, things can change! So for guaranteed latest information and to see any product additions, changes and updates, new copies of this list may be downloaded from our website - www.sterlingsep.com at any time. Of course, we'll notify you if there are significant updates.

Brochures and specifications are also available in the 'support' section of the website

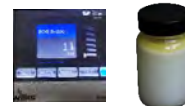
STERLING has prepared this list carefully and thoroughly. However, it is possible that errors may be encountered, and we reserve the right to review and possibly refuse orders if necessary in such circumstances. We will not be held responsible for costs incurred by any errors in this list, or incorrect use of it, and urge users to check prices and specifications with us if they are in any doubt.



MAIN INDEX

click on the product or page links

<u>STERLING oil/water separators</u>	Page 3
<u>Service kits</u>	Page 4
<u>Accessories</u>	Page 4
<u>Specifications</u>	Page 5
<u>Condensate drains</u>	
<u>Timed drains (TD15)</u>	Page 6
<u>Timed drain (CS720)</u>	Page 7
<u>Float & Hybrid drains</u>	Page 8
<u>Zero Loss drains (large)</u>	Page 9
<u>Zero loss drains (medium)</u>	Pages 10-11
<u>3rd party service kits for OWS (index)</u>	Page 12
<u>Compressed air filtration</u>	
<u>STERLING filtration intro</u>	Pages 22-24
<u>STERLING filters data tables</u>	Page 25
<u>STERLING filter housings</u>	Page 26
<u>STERLING filter elements</u>	Page 27
<u>STERLING cyclone separators</u>	Page 28
<u>Alternative air filter elements (index)</u>	Page 29
<u>Filter housing drains</u>	Page 42
<u>Other Services</u>	Page 43
<u>Company details</u>	Page 44
<u>Go to the STERLING website</u>	





STERLING oil/water separators

CFM (m3/min)	Product code	Description	List price per unit per quantity		
			(1 off)	(5 off _{ea})	(10 off _{ea})
75 (2.1)	CS75	CS75 OWS, BLUE, c/w wall mount, STERLING label, Metric	£110.00	£92.84	£86.24
	CS75-GREY	CS75 OWS, GREY, c/w wall mount, STERLING label, Metric	£110.00	£92.84	£86.24
	CS75-YELLOW	CS75 OWS, YELLOW, c/w wall mount, STERLING label, metric	£110.00	£92.84	£86.24
	CS75-OEM	CS75 OWS, BLUE, c/w wall mount, unbranded, Metric	£110.00	£92.84	£86.24
	CS75-OEM-GREY	CS75 OWS, GREY, c/w wall mount, unbranded, metric	£110.00	£92.84	£86.24
	CS75-OEM-YELLOW	CS75 OWS, YELLOW, c/w wall mount, unbranded, metric	£110.00	£92.84	£86.24
150 (4.2)	CSR150	Oil/water separator - 150cfm BLUE	£365.00		
	CSR150_G	Oil water separator - 150cfm - GREY	£365.00		
	CSR150_Y	Oil water separator - 150cfm - YELLOW	£365.00		
	CSR150-AF	Oil water separator - 150cfm - Active filter - BLUE	£475.00		
	CSR150AF_G	Oil water separator - 150cfm - Active filter - GREY	£475.00		
	CSR150AF_Y	Oil water separator - 150cfm - Active filter - YELLOW	£475.00		
450 (12.7)	CSR450	Oil water separator - 450cfm - BLUE	£552.00		
	CSR450_G	Oil water separator 450cfm - GREY	£552.00		
	CSR450_Y	Oil water separator 450cfm - YELLOW	£552.00		
	CSR450-AF	Oil water separator 450cfm - active filter - BLUE	£718.00		
	CSR450AF_G	Oil water separator 450 cfm - active filter - GREY	£718.00		
	CSR450AF_Y	Oil water separator 450 cfm - Active filter - YELLOW	£718.00		
1000 (28.3)	CSR1000	Oil water separator 1000cfm - BLUE	£806.00		
	CSR1000_G	Oil/water separator - 1000cfm - GREY	£806.00		
	CSR1000_Y	Oil water separator - 1000cfm - YELLOW	£806.00		
	CSR1000AF	Oil water separator 1000cfm - Active filter - BLUE	£1,026.00		
	CSR1000AF_G	Oil water separator 1000CFM -Active Filter - GREY	£1,026.00		
	CSR1000AF_Y	Oil water separator 1000CFM - Active Filter - YELLOW	£1,026.00		
2000 (56.6)	CSR2000	Oil water separator - 2*CSR1000 + CSEQ3 - BLUE	£1,831.00		
	CSR2000_G	Oil water separator - 2*CSR1000 + CSEQ3 - CSRs GREY	£1,831.00		
	CSR2000_Y	Oil water separator 2*CSR1000 + CSEQ - CSRs YELLOW	£1,831.00		
	CSR2000-AF	Oil water separator - 2*CSR1000-AF + CSEQ3 - BLUE	£2,283.00		
	CSR2000AF_G	Oil water separator=2*CSR1000-AF + CSEQ3_active filter_GREY	£2,283.00		
	CSR2000AF_Y	Oil water separator=2*CSR1000AF+CSEQ3_active filter_YELLOW	£2,283.00		
3000 (85)	CSR3000	Oil water separator 3*CSR1000 + CSEQ3 - BLUE	£2,636.00		
	CSR3000_G	Oil water separator 3*CSR1000 + CSEQ3 - CSRs GREY	£2,636.00		
	CSR3000_Y	Oil water separator 3*CSR1000 + CSEQ3 - CSRs YELLOW	£2,636.00		
	CSR3000-AF	Oil water separator - 3*CSR1000AF + CSEQ3 - BLUE	£3,297.00		
	CSR3000AF_G	Oil water separator - 3*CSR1000AF+CSEQ3+Active - CSRs GREY	£3,297.00		
	CSR3000AF_Y	Oil water separator 3*CSR1000AF+CSEQ3+Active - CSRs YELLOW	£3,297.00		
3500 (100)	CS100IBC	STERLING CS100 IBC separator complete	£4,781.00		
7000 (200)	CS200IBC	STERLING CS200 IBC separator complete	£6,954.00		




[Main Index](#)

Service kits for STERLING Separators

Lightweight, no dust, no glass fibres and - NO PRE-SOAKING required.

Carbon-free

Product Code	Description	List price per unit	per qty	
			(5 off _{ea})	(10 off _{ea})
CS75SK	Service Kit for CS75 OWS, BLUE only (fits all models)	£56.00	£52.08	£49.84
CSR150SK	Service kit for CSR150 STERLING oil/water separator	£163.00		
CSR150SKAF	Active filter kit for CSR150(AF)	£243.00		
CSR450SK	Service kit for CSR450 STERLING oil/water separator	£254.00		
CSR450SKAF	Service kit for CSR450 STERLING oil/water separator	£351.00		
CSR1000SK	Service kit for STERLING CSR1000 oil/water separator	£405.00		
CSR1000SKAF	Service kit for CSR1000 (AF) active filter	£566.00		
CSR2000SK	Service kit for CSR2000 comprises 2*CSR1000SK	£809.00		
CSR2000-AFK	Service kit for CSR2000 comprises 2*CSR1000-AFK	£1,131.00		
CSR3000SK	Service kit for CSR3000 comprises 3*CSR1000SK	£1,212.00		
CSR3000SKAF	Service kit for CSR3000AF comprises 3*CSR1000SKAF	£1,697.00		
CS100IBCK	Service kit for CS100IBC (Also to fit SEPURA SEP3500)	£3,572.00		
CS200IBCK	Service kit for CS200IBC (Also fits SEPURA SEP7000)	£5,325.00		



Accessories for STERLING separators

Product Code	Description	List price
CSR150STD	Stand base for CSR150	£126.00
CSR450STD	Stand base for CSR450	£126.00
CSEQ3	Flow divider to share inlet flow into 2 or 3 equal feeds	£274.00
SB1	Replacement Sample Bottle	£34.00
TISKIT	Time-in-service indicator kit. (Mounting card and TIS indicator)	£7.00
CS75FM	Floor mount cup for CS75 separator	£7.00





STERLING oil/water separator specifications								
Model	Capacity Cfm - (m ³ /min)	Max service life (hrs)	Height (mm)	Width (mm)	Depth (mm)	Height to outlet c/l (mm)	Weight (kg)	Service kit
CS75	75 - (2.1)	4000	270	185	195	185	2	CS75SK
CSR150	150 - (4.2)	4000	560	220	255	240	3.4	CSR150SK
CSR450	450 - (12.7)	4000	750	310	335	352	4.5	CSR450SK
CSR1000	1000 - (28.3)	4000	980	400	430	433	16	CSR1000SK
CSR2000	2000 - (56.6)	4000	980	900appx	430	433	35	2x CSR1000SK
CSR3000	3000 - (85)	4000	980	1400appx	430	433	51	3x CSR1000SK
CSR150-AF	150 - (4.2)	2000-4000	560	220	255	240	3.4	CSR150SKAF
CSR450-AF	450 - (12.7)	2000-4000	750	310	335	352	4.5	CSR450SKAF
CSR1000-AF	1000 - (28.3)	2000-4000	980	400	430	433	16	CSR1000SKAF
CSR2000-AF	2000 - (56.6)	2000-4000	980	900appx	430	433	35	2x CSR1000SKAF
CSR3000-AF	3000 - (85)	2000-4000	980	1400appx	430	433	51	3x CSR1000SKAF
CS100IBC	3500 - (100)	16000	1350	800	1270	650 appx	650	CS100IBCK
CS200IBC	7000 - (200)	16000	1520	1000	1270	750appx	1060	CS200IBCK
Accessories								
CSR150STD & CSR450STD		Stand raises CSR150 or 450 by ~300mm where access to drain requires extra slope						
CSEQ3	*Splits condensate flow into 2 or 3 equal streams for successful multiple installations.							
Designed to meet or exceed current environmental legislation when correctly selected and installed; all sizes are based on well maintained compressor plant using mineral or mineral-based lubricants. For PAG lubricants, reduce stated capacity by 50% or use AF model								



[Main Index](#)

[Hybrid drains](#)

[Float drains](#)

[Zero-loss drains](#)

STERLING Autodrains

First, choose the right type of drain for your application
Take a look at the table below for at-a-glance benefits of each type

Type	Purchase cost	Running cost	Ease of Installation	Maintenance	System alarms	Comments
Timer controlled	Low	High	Very flexible	Low	None	Will waste a lot of compressed air
Float operated	Low / medium	Medium	Clean sites are best	Medium	Usually none	Not ideal on old or corroded plant
Hybrid	Medium	Low / medium	Very flexible	Low	None	A good, well balanced solution
Zero loss electronic	Relatively high	Low	Follow the book, it's important	Medium	From simple to comprehensive	Long term cost saver when installed correctly and serviced regularly

Timer controlled drains



TD15A



TD15B

Part code	Description	Pressure	Interval time	Open time	Price	10 off (ea)
TD15A_220V_1/2BSP	Timed drain integrated BVS - 1/2BSP - 220vac (CS720 equiv)	0-16 bar	0.5 - 45 minutes	0.5 - 10 seconds	£44.00	£41.38
TD15A_110V_1/2BSP	Timed drain integrated BVS - 1/2 BSP - 110vac (CS720 equiv)	0-16 bar	0.5 - 45 minutes	0.5 - 10 seconds	£44.00	£41.38
TD15B_110V_1/2BSP	Timed drain + BVS - 1/2 BSP - 110vac (CS720 equivalent)	0-16 bar	0.5 - 45 minutes	0.5 - 10 seconds	£44.00	£41.38
TD15B_220V_1/2BSP	Timed drain + BVS - 1/2 BSP - 220vac (CS720 equivalent)	0-16 bar	0.5 - 45 minutes	0.5 - 10 seconds	£44.00	£41.38
TD15B_220V_1/2BSP_80BAR	Timed drain No BVS - 1/2 BSP - 220vac - 80 bar	0-80 bar	0.5 - 45 minutes	0.5 - 10 seconds	£95.00	£89.35
TD15B_220V_3/8BSP	Timed drain + BVS - 3/8 BSP 220vac - (CS720 equivalent)	0-16 bar	0.5 - 45 minutes	0.5 - 10 seconds	£44.00	£41.38
TD15B_24VAC_1/2BSP	Timed drain + BVS - 1/2 BSP 24vac (CS720 equivalent)	0-16 bar	0.5 - 45 minutes	0.5 - 10 seconds	£67.00	£63.02


[Main Index](#)
[Hybrid drains](#)
[Float drains](#)
[Zero-loss drains](#)

STERLING Autodrains (cont'd)



CS711
(with analog timer)



CS720
(with analog timer)



3800
(digital timer for CS3800xx)

Part code	Description	Pressure	Interval time	Open time	Price	10 off (ea)
CS711	CS 711 - 1/4" 230VAC Timed drain with BVS	0-16 bar	0 - 120 minutes	Fixed	£47.00	£42.30
CS7203/8	CS 720 - 3/8" Timed drain with BVS - 220VAC	0-16 bar	0.5 - 45 minutes	0.5 - 10 seconds	£54.00	£48.60
CS7203/8110VBVS	CS720 - 3/8" Timed Drain with BVS - 110vac	0-16 bar	0.5 - 45 minutes	0.5 - 10 seconds	£65.00	£58.50
CS7203/824V	CS 720 - 3/8" Timed drain with BVS - 24vdc	0-16 bar	0.5 - 45 minutes	0.5 - 10 seconds	£93.00	£83.70
CS7201/2	CS 720 - 1/2" Timed drain with BVS 230V	0-16 bar	0.5 - 45 minutes	0.5 - 10 seconds	£56.00	£50.40
CS7201/2110vac	CS720 - 1/2" Timed drain with BVS - 110vac	0-16 bar	0.5 - 45 minutes	0.5 - 10 seconds	£66.00	£59.40
CS7201/224V	CS 720 - 1/2" Timed drain with BVS 24vdc	0-16 bar	0.5 - 45 minutes	0.5 - 10 seconds	£96.00	£86.40
CS7201/212V	CS 720 - 1/2" Timed drain with BVS 12vdc	0-16 bar	0.5 - 45 minutes	0.5 - 10 seconds	£96.00	£86.40
CS7203/8	CS 720 - 3/8" Timed drain with BVS - 220VAC	0-16 bar	0.5 - 45 minutes	0.5 - 10 seconds	£54.00	£48.60
CS7203/8110VBVS	CS720 - 3/8" Timed Drain with BVS - 110vac	0-16 bar	0.5 - 45 minutes	0.5 - 10 seconds	£65.00	£58.50
CS7203/824V	CS 720 - 3/8" Timed drain with BVS - 24vdc	0-16 bar	0.5 - 45 minutes	0.5 - 10 seconds	£93.00	£83.70
CS7203/812V	CS 720 - 3/8" Timed drain with BVS 12vdc	0-16 bar	0.5 - 45 minutes	0.5 - 10 seconds	£93.00	£83.70
CS7203/880	CS 720 - 3/8" Timed drain 80 bar NO BVS	0-80 bar	0.5 - 45 minutes	0.5 - 10 seconds	£75.00	£67.50
CS7201/280	CS 720 - 1/2" Timed drain 80 bar NO BVS	0-80 bar	0.5 - 45 minutes	0.5 - 10 seconds	£80.00	£72.00
CS22006	CS 220-06 - 3/4" Timed drain. NO BVS 220v	0-16 bar	0.5 - 45 minutes	0.5 - 10 seconds	£118	£106
CS22008	CS 220-08 - 1" Timed drain. NO BVS 220v	0-16 bar	0.5 - 45 minutes	0.5 - 10 seconds	£131	£118
CS3800H3/8	Digital timed drain 3/8" with BVS 110V to 230V AC/DC	0-80 bar	0 - 99:59:59 (100 Hrs)	0 - 09:59 (10 mins)	£61.00	£54.90
CS3800L3/8	Digital timed drain 3/8" with BVS 7V to 36V AC/DC	0-16 bar	0 - 99:59:59 (100 Hrs)	0 - 09:59 (10 mins)	£66.00	£59.40
CS3800H1/2	Digital timed drain 1/2" with BVS 110V to 230V AC/DC	0-16 bar	0 - 99:59:59 (100 Hrs)	0 - 09:59 (10 mins)	£64.00	£57.60
CS3800L1/2	Digital timed drain 1/2" with BVS 7V to 36V AC/DC	0-16 bar	0 - 99:59:59 (100 Hrs)	0 - 09:59 (10 mins)	£68.00	£61.20



[Main Index](#)

[Timed drains](#)

[Zero-loss drains](#)

STERLING Autodrains (cont'd)

Hybrid autodrain (timer + liquid sensor)

This drain has a fixed interval, but the built-in condensate sensor automatically adjusts the 'open' time according to the amount of moisture that's accumulated. This minimises the volume of air that's lost during operation, but simplifies the installation because the drain can never get air-locked. For convenience, it can also be installed in various orientations. Suitable for up to 2000cfm (60m³/min)



AD950T

Part code	Description	Pressure	Interval time	Open time	Price	5+ (ea)
AD950T230	AD 950 T Intelligent timed drain 230vac 3/8"BSP & 3/8" hose	0-80 bar	Fixed	Automatic	£169.00	£158
AD950T110	AD 950 T Intelligent timed drain 110vac 3/8"BSP & 3/8" hose	0-16 bar	Fixed	Automatic	£169.00	£158
AD950T24	AD 950 T Intelligent timed drain 24vdc 3/8"BSP & 3/8" hose	0-16 bar	Fixed	Automatic	£169.00	£158

Float controlled autodrain

Float drain for use on a drip leg etc. Features a polycarbonate bowl protected by an aluminium housing.



CS402

CS20B



Mechanical float drain for general use including receivers and distributed sites where there is no power. Heavy duty body and rugged internals.

Part code	Description	Pressure	Capacity	Price
CS402	CS 402 - 1/2" Mechanical float drain	0-10 bar	< 400 cfm < 12 m ³ /min	£41.00
CS20B	CS 20B - 1/2" Heavy duty float drain	0-16 bar	< 4000 cfm < 120 m ³ /min	£82.00


[Main Index](#)
[Hybrid drains](#)
[Float drains](#)

STERLING Autodrains (cont'd)

Electronic Zero-loss drains

ZL1300 & ZL5000



ZL1300



Air operated diaphragm valve for high flow and reliability



ZL5000

STERLING ZL1300 & ZL5000 are electronic zero-loss condensate drains designed and built to the most exacting standards. Both versions provide long-term reliability, high capacity 1300 or 5000cfm (37 or 140 m³/min), and exceptionally low running costs.

Incorporating an internal strainer, local alarm, optional contacts for a remote alarm, override test button, and rated for IP65 protection - ZL1300 & ZL5000 offer the highest quality solution with rapid payback in compressed air savings.

Part code	Description	Capacity	Max pressure	Top inlet	Price
ZL1300-220	Zero loss Heavy Duty Autodrain 1/2" BSP 220vac	1300 cfm (37 m ³ /min)	16 bar	n/a	£461.00
ZL1300-110	Zero loss heavy duty Autodrain 1/2" BSP, 110vac	1300 cfm (37 m ³ /min)	16 bar	n/a	£461.00
ZL1300-220-RA	Zero loss HD Autodrain 1/2" BSP 220vac, with alarm contact	1300 cfm (37 m ³ /min)	16 bar	n/a	£497.00
ZL1300-110-RA	Zero loss HD Autodrain 1/2" BSP 110vac, with alarm contact	1300 cfm (37 m ³ /min)	16 bar	n/a	£497.00
ZL5000-220	Zero loss heavy duty autodrain. 3/4" BSP. 220v	5000 cfm (140 m ³ /min)	16 bar	3/4" BSP	£606.00
ZL5000-110	Zero loss HD autodrain. 3/4" BSP. 110v	5000 cfm (140 m ³ /min)	16 bar	3/4" BSP	£606.00
ZL5000-220-RA	Zero loss HD drain. 3/4" BSP. 220vac. With alarm contact.	5000 cfm (140 m ³ /min)	16 bar	3/4" BSP	£667.00

Spares & accessories

Part code	Description	Price
ZL1300-Controlbox	Housing ONLY for control PCB. With 'O' Ring seal	£66.00
ZLCoil-1300	Solenoid coil for ZL1300 condensate drain	£59.00
ZLDIA-1300	Diaphragm for ZL1300 condensate drain	£71.00
ZLPCB-220	220vac PCB for ZL1300 and ZL5000 (inc sensor)	£161.00
ZLPCB-110	110vac PCB for ZL1300 and ZL5000 (inc sensor)	£161.00
ZLSV	Complete solenoid and valve sub-assembly for ZL1300	£131.00
ZLOR	O' Ring set for ZL1300	£15.00
ZL5000-Controlbox	Housing ONLY for control PCB. With 'O' ring seal.	£71.00
ZLCoil-5000	Solenoid coil for ZL5000 condensate drain	£90.00
ZLDia-5000	Diaphragm for ZL5000 condensate drain	£71.00
ZLPCB-220	220vac PCB for ZL1300 and ZL5000 (inc sensor)	£161.00
ZLPCB-110	110vac PCB for ZL1300 and ZL5000 (inc sensor)	£161.00
ZLSV-5000	Complete solenoid and valve sub-assembly for ZL5000	£154.00
ZLOR-5000	O' Ring set for ZL5000	£24.00



[Main Index](#)

[Timed drains](#)

[Hybrid drains](#)

[Float drains](#)

STERLING Autodrains (cont'd)

Electronic Zero-loss drains (cont'd)

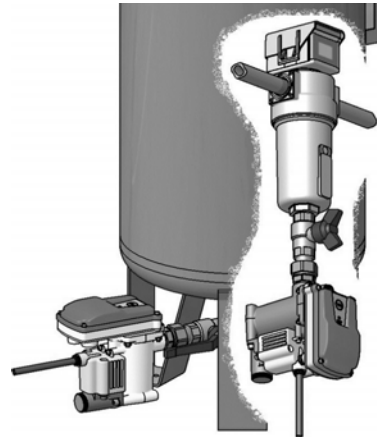
EMD 12, 25, 75 & 150

The STERLING EMD is an electronic zero-loss condensate drain designed and built to the most exacting standards to provide long-term reliability and exceptionally low running costs. EMD is a modular drain with an easily accessible strainer that can be removed for cleaning while the drain remains installed. The low cost service module is also quickly and easily replaced.

The EMD***A version offers powered connection for a remote-sited alarm

These drains can be installed either "vertically" (in normal use such as under an air receiver), or "horizontally" as illustrated right to simplify use with filters etc.

It is recommended that in locations where significant debris is carried by the condensate, the preferred orientation is the more conventional 'vertical' option.



Capacity table (Other details & prices on next page)

MODEL	Capacity (Receiver)	Capacity (Dryer)	Capacity (Filter)	Max liquid Drainage volume (at 7bar)
EMD12	310 cfm (8.8 m3/m)	620 cfm (18.5 m3/m)	3100 cfm (93 m3/m)	12 l/hr
EMD25	650 cfm (18.2 m3/m)	1300 cfm (36.4 m3/m)	6500 cfm (193 m3/m)	25 l/hr
EMD75	1940 cfm (55 m3/m)	3800 cfm (110 m3/m)	19400 cfm (580 m3/m)	75 l/hr
EMD150	3880 cfm (110 m3/m)	7760 cfm (220 m3/m)	38800 cfm (1160 m3/m)	150 l/hr


[Main Index](#)
[Timed drains](#)
[Hybrid drains](#)
[Float drains](#)

STERLING Autodrains (cont'd)



Electronic Zero-loss drains (cont'd) EMD12, 25, 75, 150

Part code	Description	Capacity	Max pressure	Inlet/outlet	Price
EMD12230V	EMD12 230V Condensate drain	310 cfm (8.8 m ³ /min)	16 bar	G 1/2" 8mm pushfit	£152.00
EMD12110V	EMD12 110V Condensate drain	310 cfm (8.8 m ³ /min)	16 bar	G 1/2" 8mm pushfit	£152.00
EMD12A230V	EMD12A 230V Condensate drain with alarm contacts	310 cfm (8.8 m ³ /min)	16 bar	G 1/2" 8mm pushfit	£164.00
EMD12A110v	EMD12A 110V Condensate drain with alarm contacts	310 cfm (8.8 m ³ /min)	16 bar	G 1/2" 8mm pushfit	£164.00
EMD25230V	EMD25230V Condensate drain	650 cfm (18.2 m ³ /m)	16 bar	G 1/2" 8mm pushfit	£204.00
EMD25A_230V	EMD25A_230V Condensate drain with alarm contacts	650 cfm (18.2 m ³ /m)	16 bar	G 1/2" 8mm pushfit	£220.00
EMD75230V	EMD75230V Condensate drain	1940 cfm (55 m ³ /m)	16 bar	G 1/2" 8mm pushfit	£289.00
EMD75A_230V	EMD75A_230V Condensate drain with alarm contacts	1940 cfm (55 m ³ /m)	16 bar	G 1/2" 8mm pushfit	£318.00
EMD150_230V	EMD150_230V Condensate drain	3880 cfm (110 m ³ /m)	16 bar	G 1/2" 8mm pushfit	£397.00
EMD150A_230V	EMD150A_230V Condensate drain with alarm contacts	3880 cfm (110 m ³ /m)	16 bar	G 1/2" 8mm pushfit	£422.00

Spares & accessories

Part code	Description	Price
EMD12SK	Service kit for EMD12 230v	£80.00
EMD12SK110	Service kit for EMD12 110v	£80.00
EMD25SK	Service kit for EMD25 230v	£90.00
EMD25SK110	Service kit for EMD25 110v	£90.00
EMD75SK	Service kit for EMD75 230v	£110.00
EMD75SK110	Service kit for EMD75 110v	£110.00
EMD150SK	Service kit for EMD150 230v	£138.00
EMD150SK110	Service kit for EMD150 110v	£138.00



[Main Index](#)

Service kits to fit other oil/water separators

Lightweight, clean and long lasting, STERLING's service kits for other separators use our proprietary blend of media instead of activated carbon. There's no glass fibre used, and they **do not require pre-soaking**.

We've listed the most popular brands, but if you can't see the one you need, **call us - we can probably help!**

Atlas Copco	BEKO	Boge	Bowman Stor
Compair	Denco	Domnick Hunter	Donaldson
Gardner Denver	Hankison	Hiross	Hi-Line
Ingersoll Rand	Jorc	Kaeser / HPC	Mark
Omega	Parker D/H	Parker Zander	Sepura
Ultrafilter / Ultrasep	Worthington	Wortman	Zander

Please note that brand names in use on this price list are for identification purposes only, and do not indicate that STERLING Separation Ltd supplies service kits either manufactured by, or sold by those companies or brands whose names are used.


[Main Index](#)
[Service kits Index](#)

Service kits to fit other oil/water separators

Atlas Copco

Brand part number where applicable	Description	Order Code	List price
OSC-35-A	Compatible white bag	CS35A	£93.00
OSC-35-B	Compatible two white one black bag	CS35B	£232.00
OSC-35-D	Compatible one white one black bag	CS35D	£150.00
OSC-95-A	Compatible white bag	CS95A	£114.00
OSC-95-B	Compatible two white one black bag	CS95B	£283.00
OSC-95-D	Compatible one white one black bag	CS95D	£184.00
OSC-145-A	Compatible white bag	CS145A	£232.00
OSC-145-B	Compatible two white one black bag	CS145B	£441.00
OSC-145-D	Compatible one white one black bag	CS145D	£274.00
OSC-355-A	Compatible two white bags	CS355A	£272.00
OSC-355-B	Compatible four white two black bags	CS355B	£652.00
OSC-355-D	Compatible two white two black bags	CS355D	£419.00
OSC-600-A	Compatible two white bags	CS600A	£348.00
OSC-600-B	Compatible four white one black bags	CS600B	£946.00
OSC-600-D	Compatible two white two black bags	CS600D	£664.00
OSC-825-A	Compatible two white bags	CS825A	£409.00
OSC-825-B	Compatible four white two black bags	CS825B	£1,093.00
OSC-825-D	Compatible two white two black bags	CS825D	£762.00
OSC-1200-A	Compatible two white bags	CS1200A	£430.00
OSC-1200-B	Compatible four white two black bags	CS1200B	£1,104.00
OSC-1200-D	Compatible 2 white 2 black bags	CS1200D	£994.00
OSC-2400-A	Compatible four white bags	CS2400A	£788.00
OSC-2400-B	Compatible eight white four black bags	CS2400B	£2,133.00
OSC-2400-D	Compatible four white four black bags	CS2400D	£1,441.00
OSW 5 & OSW 11 service kit	BEKO OWAMAT 1 or 2 STERLING service kit	CS01ST	£60.00
OSW 30 Service Kit	BEKO OWAMAT 4 STERLING service kit	CS04ST	£102.00
OSW 55 Service kit	BEKO OWAMAT 5R STERLING service kit	CS05RST	£125.00
OSW 110 Service kit	BEKO OWAMAT 6 STERLING service kit	CS06ST	£220.00
OSW 315 Service kit	BEKO OWAMAT 8 STERLING service kit	CS08ST	£644.00

BEKO

Brand part number where applicable	Description	Order Code	List price
	BEKO OWAMAT 1 or 2 STERLING service kit	CS01ST	£60.00
	BEKO OWAMAT 3 STERLING service kit	CSKT03ST	£102.00
	BEKO OWAMAT 4 STERLING service kit	CS04ST	£102.00
	BEKO OWAMAT 5 (mk1 round type) Also fits U/F P30	CSKT05ST	£224.00
	BEKO OWAMAT 5R STERLING service kit	CS05RST	£125.00
	BEKO OWAMAT 6 STERLING service kit	CS06ST	£220.00
	BEKO OWAMAT 8 STERLING service kit	CS08ST	£644.00
	BEKO OWAMAT 10 STERLING service kit	CSO10ST	£89.00
	BEKO OWAMAT 11 STERLING service kit	CSO11ST	£106.00
	BEKO OWAMAT 12 STERLING Service Kit	CSO12ST	£149.00
	BEKO OWAMAT 14 STERLING Service Kit	CSO14ST	£199.00
	BEKO OWAMAT 15 STERLING Service Kit	CSO15ST	£322.00
	BEKO OWAMAT 20 STERLING service kit	CSKT020ST	£631.00


[Main Index](#)
[Service kits Index](#)

Service kits to fit other oil/water separators

Boge

Brand part number where applicable	Description	Order Code	List price
OKOMAT 5	Ultrafilter U 30SP - STERLING service kit	CSU30SPST	£140.00
OKOMAT 10	Ultrafilter U 10SP - STERLING service kit	CSU10SPST	£70.00
OKOMAT 15	Ultrafilter U 15SP - STERLING service kit	CSU15SPST	£83.00
OKOMAT 30	Service kit for Ultrasep UFS-SP 30N	CSU30SPN	£170.00
OKOMAT 60	Service kit for Ultrasep UFS-SP 60N	CSU60NSPST	£234.00
OKOMAT 120	Ultrafilter U 120SP - STERLING service kit	CSU120SPST	£409.00
OKOMAT 240	Ultrafilter U 240SP - STERLING service kit	CSU240SPST	£823.00
CC 4	Jorc Mini STERLING full service kit (Equiv to CSEP035)	CSJMKST	£138.00
CC 8	Jorc Puro STERLING full service kit	CSJPKST	£222.00
CC 20	Jorc Midi STERLING full service kit	CSJMDKST	£405.00
CC 35	Jorc Grand STERLING full service kit	CSJGKST	£462.00
CC 70	Jorc Grand Extender STERLING service kit	CSJGEST	£252.00
CC2-2	Exchange for STERLING CS75	CS75	£110.00
CC4-2	Available Shortly		
CC5-2	Jorc Sepremium 5 replacement service kit (Equiv to CSEP050)	CSJS5ST	£184.00
CC10-2	Jorc Sepremium 10 replacement service kit (Equiv to CSEP100)	CSJS10ST	£255.00
CC20-2	Jorc Sepremium 20 replacement service kit (Equiv to CSEP200)	CSJS20ST	£411.00
CC30-2	Jorc Sepremium 30 replacement service kit (Equiv to CSEP300)	CSJS30ST	£483.00
CC60-2	Jorc Sepremium 60 replacement service kit	CSJS60ST	£647.00

Bowman Stor

Brand part number where applicable	Description	Order Code	List price
	Bowman Stor Bi-sep 5 Compatible Kit	CSBS5ST	£324.00
	Bowman Stor Bi-sep 20 Compatible Kit	CSBS20ST	£319.00
	Bowman Stor Bi-sep 25 Compatible Kit	CSBS25ST	£403.00
	Bowman Stor Tri-sep 50 Compatible kit	CSBS50ST	£978.00
	Bowman Stor Tri-sep 100 Compatible kit	CSBS100ST	£961.00
	Bowman Stor Tri-sep 150 Compatible kit	CSBS150ST	£1,151.00
	Bowman Stor Tri-sep 200 Compatible kit	CSBS200ST	£1,341.00
	Bowman Stor Tri-sep 400 Compatible kit	CSBS400ST	£2,515.00

Compair

Brand part number where applicable	Description	Order Code	List price
CS 2100	DH 2015 -STERLING compatible service kit	CSDH2015ST	£85.00
CS 2150	DH 2015 -STERLING compatible service kit	CSDH2015ST	£85.00
CS 2200	DH 2015 -STERLING compatible service kit	CSDH2015ST	£85.00
CS 2300	DH 2015 -STERLING compatible service kit	CSDH2015ST	£85.00
CS 2400	DH 2030 - STERLING compatible service kit	CSDH2030ST	£126.00
CS 2500	DH 500 - STERLING compatible service kit	CSDHES500ST	£180.00
CS2600	DH 1000 STERLING compatible service kit	CSDHES1000ST	£340.00
CSEP 020	Replace with STERLING CS75 (see pages 2 & 3 for prod details)	CS75	£110.00
CSEP 035	Jorc Mini STERLING full service kit (Equiv to CSEP035)	CSJMKST	£138.00
CSEP 050	Jorc Sepremium 5 replacement service kit (Equiv to CSEP050)	CSJS5ST	£184.00
CSEP 100	Jorc Sepremium 10 replacement service kit (Equiv to CSEP100)	CSJS10ST	£255.00
CSEP 200	Jorc Sepremium 20 replacement service kit (Equiv to CSEP200)	CSJS20ST	£411.00
CSEP 300	Jorc Sepremium 30 replacement service kit (Equiv to CSEP300)	CSJS30ST	£483.00
CSEP 600	Jorc Sepremium 60 replacement service kit	CSJS60ST	£647.00

NEW UNIT


[Main Index](#)
[Service kits Index](#)

Service kits to fit other oil/water separators

Denco

Brand part number where applicable	Description	Order Code	List price
	Denco CF1000-type can	CSCF1000	£140.00
	Denco CF200-type can	CSCF200	£105.00

Domnick Hunter

Brand part number where applicable	Description	Order Code	List price
DH 2010	DH 2010 - STERLING compatible service kit	CSDH2010ST	£58.00
DH 2015	DH 2015 -STERLING compatible service kit	CSDH2015ST	£85.00
DH 2030	DH 2030 - STERLING compatible service kit	CSDH2030ST	£126.00
KME 2020	DH 2010 - STERLING compatible service kit	CSDH2010ST	£58.00
KME 2015	DH 2015 -STERLING compatible service kit	CSDH2015ST	£85.00
KME 2030	DH 2030 - STERLING compatible service kit	CSDH2030ST	£126.00

Donaldson

Brand part number where applicable	Description	Order Code	List price
DSO 070	Ultrafilter U 5SP - STERLING service kit	CSU5SPST	£70.00
DSO 145	Ultrafilter U 10SP - STERLING service kit	CSU10SPST	£70.00
DSO 265	Ultrafilter U 15SP - STERLING service kit	CSU15SPST	£83.00
DSO 530	Ultrafilter U 30SP - STERLING service kit	CSU30SPST	£140.00
DSO 1060	Ultrafilter U 60SP - STERLING service kit	CSU60SPST	£203.00
DSO 2120	Ultrafilter U 120SP - STERLING service kit	CSU120SPST	£409.00
DSO 4240	Ultrafilter U 240SP - STERLING service kit	CSU240SPST	£823.00
UFS-SP 10 N	Service kit for Ultrasep UFS-SP 10N	CSU10SPN	£83.00
UFS-SP 15 N	Service kit for Ultrasep UFS-SP 15N	CSU15SPN	£99.00
UFS-SP 30 N	Service kit for Ultrasep UFS-SP 30N	CSU30SPN	£170.00
UFS-SP 60 N	Service kit for Ultrasep UFS-SP 60N	CSU60SPN	£234.00
UFS-SP 120 N	Service kit for Ultrasep UFS-SP 120N	CSU120SPN	£458.00
UFS-SP 240 N	Service kit for Ultrasep UFS-SP 240N	CSU240SPN	£919.00

Gardner Denver

Brand part number where applicable	Description	Order Code	List price
GDW 5	Ultrafilter U 5SP - STERLING service kit	CSU5SPST	£70.00
GDW 10	Ultrafilter U 10SP - STERLING service kit	CSU10SPST	£70.00
GDW 15	Ultrafilter U 15SP - STERLING service kit	CSU15SPST	£83.00
GDW 30	Ultrafilter U 30SP - STERLING service kit	CSU30SPST	£140.00
GDW 60	Ultrafilter U 60SP - STERLING service kit	CSU60SPST	£203.00

Hankison

Brand part number where applicable	Description	Order Code	List price
HS 60	Hankison HSMK 1 - STERLING compatible service kit	CSHSMK1ST	£132.00
HS 70	Hankison HSMK 1 - STERLING compatible service kit	CSHSMK1ST	£132.00
HS 120	Hankison HSMK 1 - STERLING compatible service kit	CSHSMK1ST	£132.00
HS 140	Hankison HSMK 2 - STERLING compatible service kit	CSHSMK2ST	£152.00
HS 180	Hankison HSMK 2 - STERLING compatible service kit	CSHSMK2ST	£152.00
HS 240	Hankison HSMK 2 - STERLING compatible service kit	CSHSMK2ST	£152.00
HS 300	Hankison HSMK 2 - STERLING compatible service kit	CSHSMK2ST	£152.00
HS 480	Hankison HSMK 2 - STERLING compatible service kit	CSHSMK2ST	£152.00
HS 900	Hankison HSMK 3 - STERLING compatible service kit	CSHSMK3ST	£152.00
HS 1800	Hankison HSMK 4 - STERLING compatible service kit	CSHSMK4ST	£217.00
HS 3600	Hankison HSMK 5 - STERLING compatible service kit	CSHSMK5ST	£378.00


[Main Index](#)
[Service kits Index](#)

Service kits to fit other oil/water separators

Hiross

Brand part number where applicable	Description	Order Code	List price
OWS 001	DH 2015 -STERLING compatible service kit	CSDH2015ST	£85.00
OWS 060	DH 2015 -STERLING compatible service kit	CSDH2015ST	£85.00
OWS 075	DH 2015 -STERLING compatible service kit	CSDH2015ST	£85.00
OWS 125	DH 2015 -STERLING compatible service kit	CSDH2015ST	£85.00
OWS 165	DH 2030 - STERLING compatible service kit	CSDH2030ST	£126.00
OWS 355	DH 500 - STERLING compatible service kit	CSDHES500ST	£180.00
OWS 485	DH 1000 STERLING compatible service kit	CSDHES1000ST	£340.00

Hi-Line

Brand part number where applicable	Description	Order Code	List price
Consep 100	Compatible service kit for Consep 100	CSCONSEP100	£136.00
Consep 300	Compatible service kit for Consep300	CSCONSEP300	£212.00
Consep 750	Compatible service kit for Consep750	CSCONSEP750	£376.00
Consep 1500	Compatible service kit for Consep 1500 (2 x Consep 750)	CSCONSEP1500	£752.00

Ingersoll Rand

Brand part number where applicable	Description	Order Code	List price
Envirosep	DH 2010 - STERLING compatible service kit	CSDH2010ST	£58.00
ECS 6	DH 2015 -STERLING compatible service kit	CSDH2015ST	£85.00
ECS 12	DH 2015 -STERLING compatible service kit	CSDH2015ST	£85.00
ECS 18	DH 2015 -STERLING compatible service kit	CSDH2015ST	£85.00
ECS 24	DH 2015 -STERLING compatible service kit	CSDH2015ST	£85.00
ECS 30	DH 2030 - STERLING compatible service kit	CSDH2030ST	£126.00
ECS 36	DH 500 - STERLING compatible service kit	CSDHES500ST	£180.00
ECS 42	DH 1000 STERLING compatible service kit	CSDHES1000ST	£340.00

Jorc

Brand part number where applicable	Description	Order Code	List price
Enviro	Jorc Enviro STERLING compatible service kit	CSENVST	£64.00
Mini (white only)	Jorc Mini compatible white bag	CSJMW	£66.00
Mini (Carbon only)	Jorc Mini STERLING alternative to carbon bag	CSJMCST	£75.00
Mini (full kit)	Jorc Mini STERLING full service kit (Equip to CSEP035)	CSJMKST	£138.00
Puro (white only)	Jorc Puro compatible white bag	CSJPW	£140.00
Puro (Carbon only)	Jorc Puro STERLING alternative to carbon bag	CSJPCST	£85.00
Puro (full kit)	Jorc Puro STERLING full service kit	CSJPKST	£222.00
Midi (white only)	Jorc Midi compatible White bag	CSJMDW	£177.00
Midi (Carbon only)	Jorc Midi STERLING alternative to carbon bag	CSJMDCST	£234.00
Midi (full kit)	Jorc Midi STERLING full service kit	CSJMDKST	£405.00
Grand (white only)	Jorc Grand compatible White bag	CSJGW	£213.00
Grand (carbon only)	Jorc Grand STERLING alternative to carbon bag	CSJGCST	£252.00
Grand (full kit)	Jorc Grand STERLING full service kit	CSJGKST	£462.00
Grand Ext service kit	Jorc Grand Extender STERLING service kit	CSJGEST	£252.00
Sepremium 2	STERLING CS75 serviceable OWS replacing 'throw away' Jorc unit	CS75	£110.00
Sepremium 5	Jorc Sepremium 5 replacement service kit (Equip to CSEP050)	CSJS5ST	£184.00
Sepremium 10	Jorc Sepremium 10 replacement service kit (Equip to CSEP100)	CSJS10ST	£255.00
Sepremium 20	Jorc Sepremium 20 replacement service kit (Equip to CSEP200)	CSJS20ST	£411.00
Sepremium 30	Jorc Sepremium 30 replacement service kit(Equip to CSEP300)	CSJS30ST	£483.00
Sepremium 60	Jorc Sepremium 60 replacement service kit	CSJS60ST	£647.00
Puro CT 3	Replacement service kit to fit Jorc Puro CT 3 separator	CSJPCT3	£99.00
Puro CT 7	Replacement service kit to fit Jorc Puro CT 7 separator	CSJPCT7	£132.00
Puro CT 15	Replacement service kit to fit Jorc Puro CT 15 separator	CSJPCT15	£198.00


[Main Index](#)
[Service kits Index](#)

Service kits to fit other oil/water separators

Kaeser / HPC

Brand part number where applicable	Description	Order Code	List price
Aquamat 1 & 2	BEKO OWAMAT 1 or 2 STERLING service kit	CS01ST	£60.00
Aquamat 3	BEKO OWAMAT 3 STERLING service kit	CSKT03ST	£102.00
Aquamat 4	BEKO OWAMAT 4 STERLING service kit	CS04ST	£102.00
Aquamat 5	BEKO OWAMAT 5 (mk1 round type) Also fits U/F P30	CSKT05ST	£224.00
Aquamat 5R	BEKO OWAMAT 5R STERLING service kit	CS05RST	£125.00
Aquamat 6	BEKO OWAMAT 6 STERLING service kit	CS06ST	£220.00
Aquamat 8	BEKO OWAMAT 8 STERLING service kit	CS08ST	£644.00
Aquamat 20	BEKO OWAMAT 20 STERLING service kit	CSKT020ST	£631.00
Aquamat CF 3	BEKO OWAMAT 10 STERLING service kit	CS010ST	£89.00
Aquamat CF 6	BEKO OWAMAT 11 STERLING service kit	CS011ST	£106.00
Aquamat CF 9	BEKO OWAMAT 12 STERLING Service Kit	CS012ST	£149.00
Aquamat CF 19	BEKO OWAMAT 14 STERLING Service Kit	CS014ST	£199.00
Aquamat CF 38	BEKO OWAMAT 15 STERLING Service Kit	CS015ST	£322.00
Aquamat CF 75	BEKO OWAMAT 16	Not Available	#N/A
Aquamat CF168	BEKO OWAMAT 8 STERLING service kit	CS08ST	£644.00

Mark

Brand part number where applicable	Description	Order Code	List price
FOD 21-A	OSC-35-A Compatible white bag	CS35A	£93.00
FOD 21-B	OSC-35-B Compatible two white one black bag	CS35B	£232.00
FOD 21-D	OSC-35-D Compatible one white one black bag	CS35D	£150.00
FOD 57-A	OSC-95-A Compatible white bag	CS95A	£114.00
FOD 57-B	OSC-95-B Compatible two white one black bag	CS95B	£283.00
FOD 57 D	OSC-95-D Compatible one white one black bag	CS95D	£184.00
FOD 87-A	OSC-145-A Compatible white bag	CS145A	£232.00
FOD 87-B	OSC-145-B Compatible two white one black bag	CS145B	£441.00
FOD 87-D	OSC-145-D Compatible one white one black bag	CS145D	£274.00
FOD 213-A	OSC-355-A Compatible two white bags	CS355A	£272.00
FOD 213-B	OSC-355-B Compatible four white two black bags	CS355B	£652.00
FOD 213-D	OSC-355-D Compatible two white two black bags	CS355D	£419.00
FOD 360-A	OSC-600-A Compatible two white bags	CS600A	£348.00
FOD 360-B	OSC-600-B Compatible four white one black bags	CS600B	£946.00
FOD 360-D	OSC-600-D Compatible two white two black bags	CS600D	£664.00
FOD 495-A	OSC-825-A Compatible two white bags	CS825A	£409.00
FOD 495-B	OSC-825-B Compatible four white two black bags	CS825B	£1,093.00
FOD 495-D	OSC-825-D Compatible two white two black bags	CS825D	£762.00
FOD 708-A	OSC-1200-A Compatible two white bags	CS1200A	£430.00
FOD708-B	OSC-1200-B Compatible four white two black bags	CS1200B	£1,104.00
FOD 708-D	OSC-1200-D Compatible 2 white 2 black bags	CS1200D	£994.00
FOD 1418-A	OSC-2400-A Compatible four white bags	CS2400A	£788.00
FOD 1481-A	OSC-2400-B Compatible eight white four black bags	CS2400B	£2,133.00
FOD 1481-D	OSC-2400-D Compatible four white four black bags	CS2400D	£1,441.00

Omega

Brand part number where applicable	Description	Order Code	List price
WOS 4	Service kit to fit OMEGA WOS 4	CSWOS4	£92.00
WOS 8	Service kit to fit OMEGA WOS 8	CSWOS8	£162.00
WOS 20	Service kit to fit OMEGA WOS 20	CSWOS20	£211.00
WOS 35	Service kit to fit OMEGA WOS 35	CSWOS35	£325.00


[Main Index](#)
[Service kits Index](#)

Service kits to fit other oil/water separators

Parker D/H

Brand part number where applicable	Description	Order Code	List price
ES 2100	DH 2015 -STERLING compatible service kit	CSDH2015ST	£85.00
ES 2150	DH 2015 -STERLING compatible service kit	CSDH2015ST	£85.00
ES 2200	DH 2015 -STERLING compatible service kit	CSDH2015ST	£85.00
ES 2300	DH 2015 -STERLING compatible service kit	CSDH2015ST	£85.00
ES 2400	DH 2030 - STERLING compatible service kit	CSDH2030ST	£126.00
ES 2500	DH 500 - STERLING compatible service kit	CSDHES500ST	£180.00
ES 2600	DH 1000 STERLING compatible service kit	CSDHES1000ST	£340.00
ESMK 1	DH 2010 - STERLING compatible service kit	CSDH2010ST	£58.00
ESMK 2	DH 2015 -STERLING compatible service kit	CSDH2015ST	£85.00
ESMK 3	DH 500 - STERLING compatible service kit	CSDHES500ST	£180.00

Parker Zander

Brand part number where applicable	Description	Order Code	List price
ES 36	DH 2015 -STERLING compatible service kit	CSDH2015ST	£85.00
ES 90	DH 2015 -STERLING compatible service kit	CSDH2015ST	£85.00
ES125	DH 2015 -STERLING compatible service kit	CSDH2015ST	£85.00
ES 250	DH 2030 - STERLING compatible service kit	CSDH2030ST	£126.00
ES 500	DH 500 - STERLING compatible service kit	CSDHES500ST	£180.00
ES1000	DH 1000 STERLING compatible service kit	CSDHES1000ST	£340.00

Sapura

Brand part number where applicable	Description	Order Code	List price
Sep 60	STERLING CS75 (fits Sep60 wall bracket & has cartridge service kit)	CS75	£110.00
Sep 100	Compatible Service kit to fit SEP100/120	120KIT-ALTERNATIVE	£144.00
Sep 300	Compatible Service kit to fit SEP300/360	360KIT-ALTERNATIVE	£228.00
Sep 750	Compatible Service kit to fit SEP750/900	900KIT-ALTERNATIVE	£360.00
Sep 1500	Compatble Service kit to fit SEP1500/1800	1800KIT-ALTERNATIVE	£719.00
Sep 120	Compatible Service kit to fit SEP100/120	120KIT-ALTERNATIVE	£144.00
Sep 360	Compatible Service kit to fit SEP300/360	360KIT-ALTERNATIVE	£228.00
Sep 900	Compatible Service kit to fit SEP750/900	900KIT-ALTERNATIVE	£360.00
Sep 1250	Compatible Service kit to fit SEP 1250	1250KIT-ALTERNATIVE	£560.00
Sep 1800	Compatble Service kit to fit SEP1500/1800	1800KIT-ALTERNATIVE	£719.00
Sep 2500	Compatible Service kit to fit SEP 2500	2500KIT-ALTERNATIVE	£1,120.00
Sep 3500	Service kit for CS100IBC (Also to fit SEPURA SEP3500)	CS100IBCK	£3,572.00
Sep 7000	Service kit for CS200IBC (Also fits SEPURA SEP7000)	CS200IBCK	£5,325.00


[Main Index](#)
[Service kits Index](#)

Service kits to fit other oil/water separators

Ultrafilter / Ultrasep

Brand part number where applicable	Description	Order Code	List price
UFS 5 SP	Ultrafilter U 5SP - STERLING service kit	CSU5SPST	£70.00
UFS 7.5 SP	Ultrafilter U 7.5SP/10SP - STERLING service kit	CSU7.5SPST	£70.00
UFS 10 SP	Ultrafilter U 10SP - STERLING service kit	CSU10SPST	£70.00
UFS 15 SP	Ultrafilter U 15SP - STERLING service kit	CSU15SPST	£83.00
UFS 30 SP	Ultrafilter U 30SP - STERLING service kit	CSU30SPST	£140.00
UFS 60 SP	Ultrafilter U 60SP - STERLING service kit	CSU60SPST	£203.00
UFS 120 SP	Ultrafilter U 120SP - STERLING service kit	CSU120SPST	£409.00
UFS 240 SP	Ultrafilter U 240SP - STERLING service kit	CSU240SPST	£823.00
UFS-SP 10 N	Service kit for Ultrasep UFS-SP 10N	CSU10SPN	£83.00
UFS-SP 15 N	Service kit for Ultrasep UFS-SP 15N	CSU15SPN	£99.00
UFS-SP 30 N	Service kit for Ultrasep UFS-SP 30N	CSU30SPN	£170.00
UFS-SP 60 N	Service kit for Ultrasep UFS-SP 60N	CSU60SPN	£234.00
UFS-SP 120 N	Service kit for Ultrasep UFS-SP 120N	CSU120SPN	£458.00
UFS-SP 240 N	Service kit for Ultrasep UFS-SP 240N	CSU240SPN	£919.00
UFS 7.5 P	Ultrafilter U 7.5P - STERLING service kit	CSU7.5PST	£68.00
UFS 15 P	Ultrafilter U 15P - STERLING service kit	CSU15PST	£81.00
UFS 30 P	Ultrafilter U 30P - STERLING service kit	CSU30PST	£131.00
UFS 60 P	Ultrafilter U 60P - STERLING service kit	CSU60PST	£201.00
UFS 120 P	Ultrafilter U 120P - STERLING service kit	CSU120PST	£396.00
UFS 240 P	Ultrafilter U 240 P - STERLING service kit	CSU240PST	£792.00
A-SP 5	Ultrafilter U 5SP - STERLING service kit	CSU5SPST	£70.00
A-SP 7.5	Ultrafilter U 7.5SP/10SP - STERLING service kit	CSU7.5SPST	£70.00
A-SP 10	Ultrafilter U 10SP - STERLING service kit	CSU10SPST	£70.00
A-SP 15	Ultrafilter U 15SP - STERLING service kit	CSU15SPST	£83.00
A-SP 30	Ultrafilter U 30SP - STERLING service kit	CSU30SPST	£140.00
A-SP 60	Ultrafilter U 60SP - STERLING service kit	CSU60SPST	£203.00
A-SP 120	Ultrafilter U 120SP - STERLING service kit	CSU120SPST	£409.00
A-SP 240	Ultrafilter U 240SP - STERLING service kit	CSU240SPST	£823.00
A-P 7.5	Ultrafilter U 7.5P - STERLING service kit	CSU7.5PST	£68.00
A-P 15	Ultrafilter U 15P - STERLING service kit	CSU15PST	£81.00
A-P 30	Ultrafilter U 30P - STERLING service kit	CSU30PST	£131.00
A-P 60	Ultrafilter U 60P - STERLING service kit	CSU60PST	£201.00
A-P 120	Ultrafilter U 120P - STERLING service kit	CSU120PST	£396.00
A-P 240	Ultrafilter U 240 P - STERLING service kit	CSU240PST	£792.00


[Main Index](#)
[Service kits Index](#)

Service kits to fit other oil/water separators

Worthington and ABAC (using a 'W' prefix e.g. WS13-A)

Brand part number where applicable	Description	Order Code	List price
(W) S 13-A	OSC-35-A Compatible white bag	CS35A	£93.00
(W) S 13-B	OSC-35-B Compatible two white one black bag	CS35B	£232.00
(W) S 13-D	OSC-35-D Compatible one white one black bag	CS35D	£150.00
(W) S 34-A	OSC-95-A Compatible white bag	CS95A	£114.00
(W) S 34-B	OSC-95-B Compatible two white one black bag	CS95B	£283.00
(W) S 34-D	OSC-95-D Compatible one white one black bag	CS95D	£184.00
(W) S 52-A	OSC-145-A Compatible white bag	CS145A	£232.00
(W) S 52-B	OSC-145-B Compatible two white one black bag	CS145B	£441.00
(W) S 52-D	OSC-145-D Compatible one white one black bag	CS145D	£274.00
(W) S 128-A	OSC-355-A Compatible two white bags	CS355A	£272.00
(W) S 128-B	OSC-355-B Compatible four white two black bags	CS355B	£652.00
(W) S 128-D	OSC-355-D Compatible two white two black bags	CS355D	£419.00
(W) S 218-A	OSC-600-A Compatible two white bags	CS600A	£348.00
(W) S 218-B	OSC-600-B Compatible four white one black bags	CS600B	£946.00
(W) S 218-D	OSC-600-D Compatible two white two black bags	CS600D	£664.00
(W) S 297-A	OSC-825-A Compatible two white bags	CS825A	£409.00
(W) S 297-B	OSC-825-B Compatible four white two black bags	CS825B	£1,093.00
(W) S 297-D	OSC-825-D Compatible two white two black bags	CS825D	£762.00
(W) S 425-A	OSC-1200-A Compatible two white bags	CS1200A	£430.00
(W) S 425-B	OSC-1200-B Compatible four white two black bags	CS1200B	£1,104.00
(W) S 425-D	OSC-1200-D Compatible 2 white 2 black bags	CS1200D	£994.00
(W) S 850-A	OSC-2400-A Compatible four white bags	CS2400A	£788.00
(W) S 850-B	OSC-2400-B Compatible eight white four black bags	CS2400B	£2,133.00
(W) S 850-D	OSC-2400-D Compatible four white four black bags	CS2400D	£1,441.00

Wortman

Brand part number where applicable	Description	Order Code	List price
Drukomat 1	Zander/Wortman S1 - STERLING service kit	CSWS1ST	£81.00
Drukomat 2	Zander/Wortman S2 - STERLING service kit	CSWS2ST	£91.00
Drukomat 4	Zander/Wortman S4 - STERLING service kit	CSWS4ST	£91.00
Drukomat 8	Zander/Wortman S8 - STERLING service kit	CSWS8ST	£91.00
Drukomat 15	Zander/Wortman S15 - STERLING service kit	CSWS15ST	£91.00
Drukomat 30	Zander/Wortman S30 - STERLING service kit	CSWS30ST	£165.00
Drukomat 60	Zander/Wortman S60 - STERLING service kit	CSWS60ST	£329.00
Air filter	Zander Ecosep Airbag	Airbag	£46.00
Drukosep 1	Service kit for Drukosep 1	CSDKS1	£75.00
Drukosep 2	Service kit for Drukosep 2	CSDKS2	£84.00
Drukosep 3	Service kit for Drukosep 3	CSDKS3	£91.00
Drukosep 6	Service kit for Drukosep 6	CSDKS6	£125.00
Drukosep 8	Service kit for Drukosep 8	CSDKS8	£148.00
Drukosep 10	Service kit for Drukosep 10	CSDKS10	£157.00
Drukosep 12	Service kit for Drukosep 12	CSDKS12	£172.00
Drukosep 25	Service kit for Drukosep 25	CSDKS25	£288.00
Drukosep 40	Service kit for Drukosep 40	CSDKS40	£436.00
Air Filter	Air filter for Drukosep 3-40	CSDKSAF	£53.00


[Main Index](#)
[Service kits Index](#)

Service kits to fit other oil/water separators

Zander

Brand part number where applicable	Description	Order Code	List price
SL 1	DH 2015 -STERLING compatible service kit	CSDH2015ST	£85.00
SL 2	DH 2015 -STERLING compatible service kit	CSDH2015ST	£85.00
SL 5	DH 2015 -STERLING compatible service kit	CSDH2015ST	£85.00
SL 8	DH 2015 -STERLING compatible service kit	CSDH2015ST	£85.00
SL 15	DH 2030 - STERLING compatible service kit	CSDH2030ST	£126.00
SL 30	DH 500 - STERLING compatible service kit	CSDHES500ST	£180.00
SL 60	DH 1000 STERLING compatible service kit	CSDHES1000ST	£340.00
SL 100	DH 2015 -STERLING compatible service kit	CSDH2015ST	£85.00
SL 150	DH 2015 -STERLING compatible service kit	CSDH2015ST	£85.00
SL 200	DH 2015 -STERLING compatible service kit	CSDH2015ST	£85.00
SL 300	DH 2015 -STERLING compatible service kit	CSDH2015ST	£85.00
SL 400	DH 2030 - STERLING compatible service kit	CSDH2030ST	£126.00
SL 500	DH 500 - STERLING compatible service kit	CSDHES500ST	£180.00
SL 600	DH 1000 STERLING compatible service kit	CSDHES1000ST	£340.00
Ecosep S1	Zander/Wortman S1 - STERLING service kit	CSWS1ST	£81.00
Ecosep S2	Zander/Wortman S2 - STERLING service kit	CSWS2ST	£91.00
Ecosep S4	Zander/Wortman S4 - STERLING service kit	CSWS4ST	£91.00
Ecosep S8	Zander/Wortman S8 - STERLING service kit	CSWS8ST	£91.00
Ecosep S15	Zander/Wortman S15 - STERLING service kit	CSWS15ST	£91.00
Ecosep S30	Zander/Wortman S30 - STERLING service kit	CSWS30ST	£165.00
Ecosep S60	Zander/Wortman S60 - STERLING service kit	CSWS60ST	£329.00
Air filter	Zander Ecosep Airbag	AIRBAG	£46.00
WT1 / WT10	Zander WT1/10 - STERLING service kit	CSWT1/10ST	£87.00
WT 2	Zander WT2 - STERLING service kit	CSWT2ST	£131.00
WT 3	Zander WT3 - STERLING service kit	CSWT3ST	£308.00
WT 20	Zander WT20 - STERLING service kit	CSWT20ST	£174.00
WT 30	Zander WT30 - STERLING service kit	CSWT30ST	£342.00
Airbag	AIRBAG for Zander WT	CSWTAIRBAG	£50.00



[Main Index](#)

[STERLING Housings](#)

[STERLING elements](#)

[Alternative elements](#)

STERLING Filter housings and elements



STERLING filtration products are designed and manufactured to the highest standards.

They are rated according to:

ISO8573-1 and are validated according to ISO12500-1 & ISO12500-3

See specimen data sheet on our website or contact us for further details.

For next-working-day delivery on most items.....

Call - 01543 502010

Email - sales@sterlingsep.com

A brand new range of compressed air filter housings and elements

effective, efficient, economical

it's **PREMIUM**
compressed air filtration



STERLING
separation

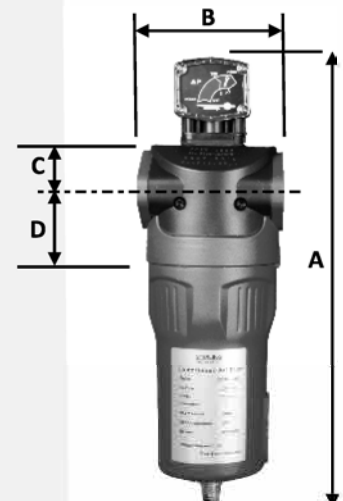
Compressed Air Filter

Model	PCSH 125R
Air Flow	125CFM
Grade	1 Micron
Connection	1"
Max Pressure	16Bar
Max Temperature	80°C
Element	PCS125R

Always Depressurize
Filter Before Servicing

“What’s premium about then?”

- Differential pressure gauge & drain fitted as standard
- High quality smooth coated internals
- Powder coated external finish
- ‘Push fit’ quick fittings on drain connections
- Manual override provided to exercise the drain
- Precision bowl threads with positive ‘click’ close
- Generously proportioned for high flow and low pressure drop
- Easily identified grades - elements have colour coded caps
- Double ‘O’ ring element seals
- Beautifully engineered and finished to the highest standard





PREMIUM compressed air filtration

At STERLING, we've been known for our great value, excellent customer service and wide range of available stock for a number of years.

Added to that, STERLING encompasses a wealth of industry knowledge collected during more than a century of real world experience in compressed air.

Nowhere is that experience more valuable than in the field of air filtration where the overlapping brands and versions are a minefield for the service provider.

We share our experience on legacy systems freely with our partners, and will continue to do so - but this new range takes a refreshingly different position.

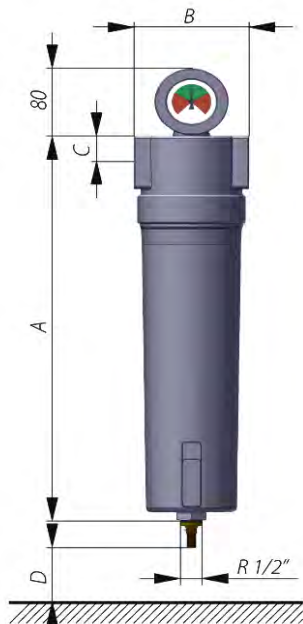
Our PREMIUM filters bring you quality build and performance, allied to a range of housings complete with DPG and drain, and the filtration grades you need - from stock with STERLING's usual keen value as a bonus.

Part code	Capacity cfm - m3/min	Thread	Element	Grade	Dim 'A'	Dim 'B'	Dim 'C'	Dim 'D'	Housing (inc DPG, Element & drain)	Replacement Element
									List price	list price
PCSH45R	45 - 2.1	1/2"	PCS45R	1 micron	240	95	32	51	£176	£33.80
PCSH45S			PCS45S	0.01 micron						
PCSH45A			PCS45A	Carbon						
PCSH85R-1/2	85 - 2.4	1/2"	PCS85R	1 micron	280	95	32	51	£198	£42
PCSH85S -1/2			PCS85S	0.01 micron						
PCSH85A-1/2			PCS85A	Carbon						
PCSH85R-3/4	85 - 2.4	3/4"	PCS85R	1 micron	280	95	32	51	£198	£42
PCSH85S -3/4			PCS85S	0.01 micron						
PCSH85A-3/4			PCS85A	Carbon						
PCSH125R	125 - 3.5	1"	PCS125R	1 micron	300	125	38	65	£258	£55
PCSH125S			PCS125S	0.01 micron						
PCSH125A			PCS125A	Carbon						
PCSH205R	205 - 5.8	1-1/2"	PCS205R	1 micron	420	125	38	65	£296	£76.80
PCSH205S			PCS204S	0.01 micron						
PCSH205A			PCS205A	Carbon						
PCSH320R	320 - 9.1	1-1/2"	PCS320R	1 micron	420	125	38	65	£364	£94
PCSH320S			PCS320S	0.01 micron						
PCSH320A			PCS320A	Carbon						
PCSH415R	415 - 11.8	2"	PCS415R	1 micron	550	170	46	82	£410	£120
PCSH415S			PCS415S	0.01 micron						
PCSH415A			PCS415A	Carbon						
PCSH550R	550 - 15.6	2"	PCS550R	1 micron	550	170	46	82	£690	£165
PCSH550S			PCS550S	0.01 micron						
PCSH550A			PCS550A	Carbon						
PCSH750R	750 - 21.2	2-1/2"	PCS750R	1 micron	640	205	60	100	£740	£198
PCSH750S			PCS750S	0.01 micron						
PCSH750A			PCS750A	Carbon						
PCSH900R	900 - 25.5	2-1/2"	PCS900R	1 micron	640	205	60	100	£800	£204
PCSH900S			PCS900S	0.01 micron						
PCSH900A			PCS900A	Carbon						
PCSH1100R	1100 - 31.2	3"	PCS1100R	1 micron	790	205	60	100	£1040	£220
PCSH1100S			PCS1100S	0.01 micron						
PCSH1100A			PCS1100A	Carbon						
PCSH1450R	1450 - 41.0	4"	PCS1450R	1 micron	840	450	85	110	£1300	£299
PCSH1450S			PCS1450S	0.01 micron						
PCSH1450A			PCS1450A	Carbon						


[Main Index](#)

Housings and elements data

Filter housing dimensions



Housing number	Dimension A	Dimension B	Dimension C	Dimension D
CSH0035	187	88	20	60
CSH0050	187	88	20	60
CSH0075	257	88	20	80
CSH0120	263	125	32	100
CSH0200	363	125	32	120
CSH0300	461	125	32	140
CSH0460	640	125	32	160
CSH0600	684	163	43	520
CSH0900	935	163	43	770
CSH1000	935	163	43	770
CSH1290	795	240	59	630
CSH1640	1000	240	59	780

Flow rate correction factors

Operating pressure (bar)	2	3	4	5	6	7	8	9	10	11	12	13	14	15	16
Operating pressure (psi)	29	44	58	72	87	100	115	130	145	160	174	189	203	218	232
Correction factor	0.38	0.52	0.63	0.79	0.88	1	1.13	1.26	1.38	1.52	1.65	1.76	1.87	2	2.14

Filter options & spares

Part no	Description	Price
CSMCD	Manual drain for filter housings (carbon element)	£15.00
EMD12230V	EMD12 230V Condensate drain	£152.00
EMD12A230V	EMD12A 230V Condensate drain with alarm contacts	£164.00
AOK16B	Float drain	£39.00
CSPDI16	Button indicator for filter housing	£25.00

See Page XXX for drains to fit other housings



Filter housing assemblies

Complete filters for compressed air treatment - aluminium, 16 bar

Housing number	Description	Flow rate cfm (m ³ /min)	Cartridge (included)	Weight (Kg)	Price
CSH0035P	3/8" Filter hsg 3m element AOK16B drain	35 / 1	CS0056P	0.7	£156.00
CSH0035R	3/8" Filter hsg 1m element AOK16B drain	35 / 1	CS0056R	0.7	£156.00
CSH0035S	3/8" Filter hsg 0.01m element AOK16B drain	35 / 1	CS0056S	0.7	£156.00
CSH0035A	3/8" Filter hsg Carbon element Manual drain	35 / 1	CS0056A	0.7	£132.00
CSH0050P	1/2" Filter hsg 3m element AOK16B drain	50 / 1.3	CS0076P	0.7	£177.00
CSH0050R	1/2" Filter hsg 1m element AOK16B drain	50 / 1.3	CS0076R	0.7	£177.00
CSH0050S	1/2" Filter hsg 0.01m element AOK16B drain	50 / 1.3	CS0076S	0.7	£177.00
CSH0050A	1/2" Filter hsg Carbon element Manual drain	50 / 1.3	CS0076A	0.7	£153.00
CSH0075P	3/4" Filter hsg 3m element AOK16B drain	75 / 2	CS0106P	0.8	£196.00
CSH0075R	3/4" Filter hsg 1m element AOK16B drain	75 / 2	CS0106R	0.8	£196.00
CSH0075S	3/4" Filter hsg 0.01m element AOK16B drain	75 / 2	CS0106S	0.8	£196.00
CSH0075A	3/4" Filter hsg Carbon element Manual drain	75 / 2	CS0106A	0.8	£172.00
CSH0120P	1" Filter hsg 3m element AOK16B drain	120 / 3.3	CS0186P	1.8	£257.00
CSH0120R	1" Filter hsg 1m element AOK16B drain	120 / 3.3	CS0186R	1.8	£257.00
CSH0120S	1" Filter hsg 0.01m element AOK16B drain	120 / 3.3	CS0186S	1.8	£257.00
CSH0120A	1" Filter hsg Carbon element Manual drain	120 / 3.3	CS0186A	1.8	£233.00
CSH0200P	1" Filter hsg 3m element AOK16B drain	200 / 5.6	CS0306P	2.5	£290.00
CSH0200R	1" Filter hsg 1m element AOK16B drain	200 / 5.6	CS0306R	2.5	£290.00
CSH0200S	1" Filter hsg 0.01m element AOK16B drain	200 / 5.6	CS0306S	2.5	£290.00
CSH0200A	1" Filter hsg Carbon element Manual drain	200 / 5.6	CS0306A	2.5	£266.00
CSH0300P	1 1/2" Filter hsg 3m element AOK16B drain	300 / 8.5	CS0476P	2.5	£359.00
CSH0300R	1 1/2" Filter hsg 1m element AOK16B drain	300 / 8.5	CS0476R	2.5	£359.00
CSH0300S	1 1/2" Filter hsg 0.01m element AOK16B drain	300 / 8.5	CS0476S	2.5	£359.00
CSH0300A	1 1/2" Filter hsg Carbon element Manual drain	300 / 8.5	CS0476A	2.5	£334.00
CSH0460P	1 1/2" Filter hsg 3m element AOK16B drain	460 / 13	CS0706P	3.3	£451.00
CSH0460R	1 1/2" Filter hsg 1m element AOK16B drain	460 / 13	CS0706R	3.3	£451.00
CSH0460S	1 1/2" Filter hsg 0.01m element AOK16B drain	460 / 13	CS0706S	3.3	£451.00
CSH0460A	1 1/2" Filter hsg Carbon element Manual drain	460 / 13	CS0706A	3.3	£427.00
CSH0600P	2" Filter hsg 3m element AOK16B drain	600 / 16.7	CS0946P	5.1	£700.00
CSH0600R	2" Filter hsg 1m element AOK16B drain	600 / 16.7	CS0946R	5.1	£700.00
CSH0600S	2" Filter hsg 0.01m element AOK16B drain	600 / 16.7	CS0946S	5.1	£700.00
CSH0600A	2" Filter hsg Carbon element Manual drain	600 / 16.7	CS0946A	5.1	£675.00
CSH0900P	2" Filter hsg 3m element AOK16B drain	900 / 25	CS1506P	7.1	£837.00
CSH0900R	2" Filter hsg 1m element AOK16B drain	900 / 25	CS1506R	7.1	£837.00
CSH0900S	2" Filter hsg 0.01m element AOK16B drain	900 / 25	CS1506S	7.1	£837.00
CSH0900A	2" Filter hsg Carbon element Manual drain	900 / 25	CS1506A	7.1	£812.00
CSH1000P	2 1/2" Filter hsg 3m element AOK16B drain	1000 / 28	CS1506P	6.9	£1,145.00
CSH1000R	2 1/2" Filter hsg 1m element AOK16B drain	1000 / 28	CS1506R	6.9	£1,145.00
CSH1000S	2 1/2" Filter hsg 0.01m element AOK16B drain	1000 / 28	CS1506S	6.9	£1,145.00
CSH1000A	2 1/2" Filter hsg Carbon element Manual drain	1000 / 28	CS1506A	6.9	£1,121.00
CSH1290P	3" Filter hsg 3m element AOK16B drain	1290 / 36	CS2006P	12.9	£1,181.00
CSH1290R	3" Filter hsg 1m element AOK16B drain	1290 / 36	CS2006R	12.9	£1,181.00
CSH1290S	3" Filter hsg 0.01m element AOK16B drain	1290 / 36	CS2006S	12.9	£1,181.00
CSH1290A	3" Filter hsg Carbon element Manual drain	1290 / 36	CS2006A	12.9	£1,157.00
CSH1640P	3" Filter hsg 3m element AOK16B drain	1640 / 46	CS2406P	14	£1,792.00
CSH1640R	3" Filter hsg 1m element AOK16B drain	1640 / 46	CS2406R	14	£1,792.00
CSH1640S	3" Filter hsg 0.01m element AOK16B drain	1640 / 46	CS2406S	14	£1,792.00
CSH1640A	3" Filter hsg Carbon element Manual drain	1640 / 46	CS2406A	14	£1,768.00



Elements for STERLING filters

Part code	Description	To fit housing	Price
CS0056P	3m element to fit STERLING CSH0035P	CSH0035	£27.30
CS0056R	1m element to fit STERLING CSH0035R	CSH0035	£27.30
CS0056S	0.01m element to fit STERLING CSH0035S	CSH0035	£27.30
CS0056A	Carbon element to fit STERLING CSH0035A	CSH0035	£27.30
CS0076P	3m element to fit STERLING CSH0050P	CSH0050	£33.80
CS0076R	1m element to fit STERLING CSH0050R	CSH0050	£33.80
CS0076S	0.01m element to fit STERLING CSH0050S	CSH0050	£33.80
CS0076A	Carbon element to fit STERLING CSH0050A	CSH0050	£33.80
CS0106P	3m element to fit STERLING CSH0075P	CSH0075	£43.50
CS0106R	1m element to fit STERLING CSH0075R	CSH0075	£43.50
CS0106S	0.01m element to fit STERLING CSH0075S	CSH0075	£43.50
CS0106A	Carbon element to fit STERLING CSH0075A	CSH0075	£43.50
CS0186P	3m element to fit STERLING CSH0120P	CSH0120	£54.80
CS0186R	1m element to fit STERLING CSH0120R	CSH0120	£54.80
CS0186S	0.01m element to fit STERLING CSH0120S	CSH0120	£54.80
CS0186A	Carbon element to fit STERLING CSH0120A	CSH0120	£54.80
CS0306P	3m element to fit STERLING CSH0200P	CSH0200	£77.20
CS0306R	1m element to fit STERLING CSH0200R	CSH0200	£77.20
CS0306S	0.01m element to fit STERLING CSH0200S	CSH0200	£77.20
CS0306A	Carbon element to fit STERLING CSH0200A	CSH0200	£77.20
CS0476P	3m element to fit STERLING CSH0300P	CSH0300	£93.40
CS0476R	1m element to fit STERLING CSH0300R	CSH0300	£93.40
CS0476S	0.01m element to fit STERLING CSH0300S	CSH0300	£93.40
CS0476A	Carbon element to fit STERLING CSH0300A	CSH0300	£95.10
CS0706P	3m element to fit STERLING CSH0460P	CSH0460	£119.10
CS0706R	1m element to fit STERLING CSH0460R	CSH0460	£119.10
CS0706S	0.01m element to fit STERLING CSH0460S	CSH0460	£119.10
CS0706A	Carbon element to fit STERLING CSH0460A	CSH0460	£119.10
CS0946P	3m element to fit STERLING CSH0600P	CSH0600	£170.60
CS0946R	1m element to fit STERLING CSH0600R	CSH0600	£170.60
CS0946S	0.01m element to fit STERLING CSH0600S	CSH0600	£170.60
CS0946A	Carbon element to fit STERLING CSH0600A	CSH0600	£170.60
CS1506P	3m element to fit STERLING CSH0900P	CSH0900	£207.80
CS1506R	1m element to fit STERLING CSH0900R	CSH0900	£207.80
CS1506S	0.01m element to fit STERLING CSH0900S	CSH0900	£207.80
CS1506A	Carbon element to fit STERLING CSH0900A	CSH0900	£207.80
CS1506P	3m element to fit STERLING CSH0900P	CSH1000	£207.80
CS1506R	1m element to fit STERLING CSH0900R	CSH1000	£207.80
CS1506S	0.01m element to fit STERLING CSH0900S	CSH1000	£207.80
CS1506A	Carbon element to fit STERLING CSH0900A	CSH1000	£207.80
CS2006P	3m element to fit STERLING CSH1290P	CSH1290	£228.00
CS2006R	1m element to fit STERLING CSH1290R	CSH1290	£228.00
CS2006S	0.01m element to fit STERLING CSH1290S	CSH1290	£228.00
CS2006A	Carbon element to fit STERLING CSH1290A	CSH1290	£228.00
CS2406P	3m element to fit STERLING CSH1640P	CSH1640	£306.00
CS2406R	1m element to fit STERLING CSH1640R	CSH1640	£306.00
CS2406S	0.01m element to fit STERLING CSH1640S	CSH1640	£306.00
CS2406A	Carbon element to fit STERLING CSH1640A	CSH1640	£306.00


[Main Index](#)

Cyclone separators - aluminium housing, 16bar



Cyclone separators (c/w element and drain)

Part code	Description	Pipe Size	Flow rate m ³ /min / cfm	Cyclone element (inc)	Price
CKL005B	3/8"Condensate separator	3/8"	1 / 35	CKL06050	£168.00
CKL007B	1/2"Condensate separator	1/2"	1.3 / 50	CKL07050	£180.00
CKL010B	3/4"Condensate separator	3/4"	2 / 75	CKL14050	£207.00
CKL018B	1"Condensate separator	1"	3.3 / 120	CKL12075	£267.00
CKL047B	1 1/2"Condensate separator	1 1/2"	5.6 / 200	CKL32075	£333.00
CKL094B	2"Condensate separator	2"	8.5 / 300	CKL51090	£650.00
CKL150B	2 1/2"Condensate separator	2 1/2"	13 / 460	CKL76090	£739.00
CKL200B	3"Condensate separator	3"	17/600	CKL51140	£1,466.00

Cyclone elements

Part code	Description	Pipe Size	Flow rate m ³ /min / cfm	To fit housing	#N/A
CKL06050	Cartridge for CKL005B 3/8"Cond Sep	3/8"	1 / 35	CKL005B	£35.00
CKL07050	Cartridge for CKL007B 1/2"Cond Sep	1/2"	1.3 / 50	CKL007B	£39.00
CKL14050	Cartridge for CKL010B 3/4"Cond Sep	3/4"	2 / 75	CKL010B	£45.00
CKL12075	Cartridge for CKL018B 1"Cond Sep	1"	3.3 / 120	CKL018B	£55.00
CKL32075	Cartridge for CKL047B 1 1/2"Cond Sep	1 1/2"	5.6 / 200	CKL047B	£65.00
CKL51090	Cartridge for CKL094B 2"Cond Sep	2"	8.5 / 300	CKL094B	£140.00
CKL76090	Cartridge for CKL150B 2 1/2"Cond Sep	2 1/2"	13 / 460	CKL150B	£140.00
CKL51140	Cartridge for CKL200B 3"Cond Sep	3"	17/600	CKL200B	£297.00



[Main Index](#)

Alternative elements to fit virtually any OEM or branded filter

These are high quality alternative elements built with attention to the same international standards as the originals

If you can't find what you need here, go to www.sterlingsep.com and register for the FilterFinder in the products section

We list below our most requested filter lines. Please note that many manufacturers' products will fit multiple different housing brands so if you can't find what you need please contact us - we can probably supply what you need!

Note the new addition of filter housing drains

ABAC	A F E	Alup	Atlas Copco
Beko	Boge	Compair Broomwade	Compair Hydrovane
Compair	C P	Domnick Hunter	Hankison
Hiross	Hi Line Industries	HPC	Ingersoll Rand
Kaeser	Mark/ Ceccato	M T A	Omega
OMI	Puska	Pneumatech	Sullair
Ultrafilter/ Donaldson	Walker Filtration	Worthington	Zander
Filter housing drains			

Please note that brand names in use on this price list are for identification purposes only, and do not indicate that STERLING Separation Ltd supplies product either manufactured by, or sold by those companies or brands whose names are used.


[Main Index](#)
[Elements index](#)

Alternative elements to fit OEM air filter housings

ABAC (Current)

Housing	Element 1m	Element 0.01m	Element AC	STERLING code	(+ grade)	List price
FILTER 45	45 P	45 C	45 V	CSAM0045	R / S / A	£36.50
FILTER 90	90 P	90 C	90 V	CSAM0090	R / S / A	£39.80
FILTER 125	125 P	125 C	125 V	CSAM0125	R / S / A	£42.70
FILTER 180	180 P	180 C	180 V	CSAM0180	R / S / A	£49.30
FILTER 290	290 P	290 C	290 V	CSAM0290	R / S / A	£60.90
FILTER 505	505 P	505 C	505 V	CSAM0505	R / S / A	£79.80
FILTER 685	685 P	685 C	685 V	CSAM0685	R / S / A	£90.60
FILTER 935	935 P	935 C	935 V	CSAM0935	R / S / A	£114.30
FILTER 1295	1295 P	1295 C	1295 V	CSAM1295	R / S / A	£187.40
FILTER 1890	1890 P	1890 C	1890 V	CSAM1890	R / S / A	£200.80
FILTER 2430	2430 P	2430 C	2430 V	CSAM2430	R / S / A	£253.60

ABAC (pre 2013 appx)

For previous ABAC range see OMI

Housing	Element 3m	Element 1m	Element 0.01m	Element AC	STERLING code	(+ grade)	List price
A 60	QF/C60	PF/C60	HF/C60	CF C60	CS 0056	P / R / S / A	£27.30
A 80	QF/C80	PF/C80	HF/C80	CF C80	CS 0076	P / R / S / A	£33.80
A 120	QF/C120	PF/C120	HF/C120	CF C120	CS 0106	P / R / S / A	£43.50
A 200	QF/C200	PF/C200	HF/C200	CF C200	CS 0186	P / R / S / A	£54.80
A 340	QF/C340	PF/C340	HF/C340	CF C340	CS 0306	P / R / S / A	£77.20
A 510	QF/C510	PF/C510	HF/C510	CF C510	CS 0476	P / R / S / A	£93.40
A 800	QF/C800	PF/C800	HF/C800	CF C800	CS 0706	P / R / S / A	£119.10
A 1000	QF/C1000	PF/C1000	HF/C1000	CF C1000	CS 0946	P / R / S / A	£170.60
A 1500	QF/C1500	PF/C1500	HF/C1500	CF C1500	CS 1506	P / R / S / A	£207.80
A 2400	QF/C2400	PF/C2400	HF/C2400	CF C2400	CS 2406	P / R / S / A	£195.00

Air Filter Engineering (AFE)

Housing	Element 3m	Element 1m	Element 0.01m	Element AC	STERLING code	(+ grade)	List price
G0010	EA10 P	EA10 Z	EA10 H	EA10 C	CS 1030	V / Z / X / A	£20.20
G0015	EA15 P	EA15 Z	EA15 H	EA15 C	CS 1050	V / Z / X / A	£23.50
G0020	EA20 P	EA20 Z	EA20 H	EA20 C	CS 1070	V / Z / X / A	£28.90
G0030	EA30 P	EA30 Z	EA30 H	EA30 C	CS 1140	V / Z / X / A	£37.30
G0055	EA55 P	EA55 Z	EA55 H	EA55 C	CS 2010	V / Z / X / A	£47.00
G0095	EA95 P	EA95 Z	EA95 H	EA95 C	CS 2020	V / Z / X / A	£61.10
G0150	EA150 P	EA150 Z	EA150 H	EA150 C	CS 2030	V / Z / X / A	£80.00
G0220	EA220 P	EA220 Z	EA220 H	EA220 C	CS 2050	V / Z / X / A	£102.10
G0290	EA290 P	EA290 Z	EA290 H	EA290 C	CS 3050	V / Z / X / A	£146.30
G0430	EA430 P	EA430 Z	EA430 H	EA430 C	CS 3075	V / Z / X / A	£178.00
G0625	EA625 P	EA625 Z	EA625 H	EA625 C	CS 5060	V / Z / X / A	£240.10
G0775	EA775 P	EA775 Z	EA775 H	EA775 C	CS 5075	V / Z / X / A	£262.00


[Main Index](#)
[Elements index](#)

Alternative elements to fit OEM air filter housings

Alup (Current)

For previous ALUP ranges see OMI

Housing	Element 1m	Element 0.01m	Element AC	STERLING code	(+ grade)	List price
FILTER 45	45 P	45 C	45 V	CSAM0045	R / S / A	£36.50
FILTER 90	90 P	90 C	90 V	CSAM0090	R / S / A	£39.80
FILTER 125	125 P	125 C	125 V	CSAM0125	R / S / A	£42.70
FILTER 180	180 P	180 C	180 V	CSAM0180	R / S / A	£49.30
FILTER 290	290 P	290 C	290 V	CSAM0290	R / S / A	£60.90
FILTER 505	505 P	505 C	505 V	CSAM0505	R / S / A	£79.80
FILTER 685	685 P	685 C	685 V	CSAM0685	R / S / A	£90.60
FILTER 935	935 P	935 C	935 V	CSAM0935	R / S / A	£114.30
FILTER 1295	1295 P	1295 C	1295 V	CSAM1295	R / S / A	£187.40
FILTER 1890	1890 P	1890 C	1890 V	CSAM1890	R / S / A	£200.80
FILTER 2430	2430 P	2430 C	2430 V	CSAM2430	R / S / A	£253.60

Atlas Copco (pre 2000Appx)

Housing	Element 1m	Element 0.01m	Element AC	STERLING code	(+ grade)	List price
6	1202 6255-02 (DD)	1202 6255-03 (PD)	1202 6264-00 (QD)	CS009	AO / AA / ACS	£23.50
13	1202 6257-02 (DD)	1202 6257-01 (PD)	1202 6281-01 (QD)	CS017	AO / AA / ACS	£33.40
25	1202 6257-04 (DD)	1202 6257-03 (PD)	1202 6268-01 (QD)	CS030	AO / AA / ACS	£41.10
40	1202 6259-02 (DD)	1202 6259-01 (PD)	1202 6281-02 (QD)	CS058	AO / AA / ACS	£56.40
13/17	1202 6259-04 (DD)	1202 6259-03 (PD)	1202 6268-02 (QD)	CS145	AO / AA / ACS	£73.80
170/195	1202 6262-02 (DD)	1202 6262-01 (PD)	1202 6263-01 (QD)	CS220	AO / AA / ACS	£95.70
295	1202 6262-04 (DD)	1202 6262-03 (PD)	1202 6263-02 (QD)	CS330	AO / AA / ACS	£137.50
375/400	1202 8573-02 (DD)	1202 8573-01 (PD)	1202 8572-00 (QD)	CS430	AO / AA / ACS	£192.90
500	1202 6273-02 (DD)	1202 6273-01 (PD)	1202 6274-00 (QD)	CS620	AO / AA / ACS	£259.90

Atlas Copco (2000 - 2013App)

Housing	Element 1m	Element 0.01m	Element AC	STERLING code	(+ grade)	List price
9	2901 0520-00 (DD)	2901 0521-00 (PD)	2901 0614-00 (QD)	CSA009	AO / AA / ACS	£35.60
17	2901 0613-00 (DD)	2901 0524-00 (PD)	2901 0525-00 (QD)	CSA017	AO / AA / ACS	£38.70
32	2901 0526-00 (DD)	2901 0527-00 (PD)	2901 0528-00 (QD)	CSA032	AO / AA / ACS	£41.50
44	2901 0529-00 (DD)	2901 0530-00 (PD)	2901 0531-00 (QD)	CSA044	AO / AA / ACS	£48.10
60	2901 0532-00 (DD)	2901 0533-00 (PD)	2901 0534-00 (QD)	CSA060	AO / AA / ACS	£59.40
120	2901 0535-00 (DD)	2901 0536-00 (PD)	2901 0537-00 (QD)	CSA120	AO / AA / ACS	£77.70
150	2901 0538-00 (DD)	2901 0539-00 (PD)	2901 0540-00 (QD)	CSA150	AO / AA / ACS	£88.30
175	2901 0541-00 (DD)	2901 0542-00 (PD)	2901 0543-00 (QD)	CSA175	AO / AA / ACS	£111.30
260/280	2901 0544-00 (DD)	2901 0545-00 (PD)	2901 0546-00 (QD)	CSA260	AO / AA / ACS	£182.50
390	2906 7000-00 (DD)	2906 7001-00 (PD)	2906 7002-00 (QD)	CSA390	AO / AA / ACS	£195.50
520	2906 7003-00 (DD)	2906 7004-00 (PD)	2906 7005-00 (QD)	CSA520	AO / AA / ACS	£246.80

Atlas Copco ⁺ (current)

Housing	Element 1m	Element 0.01m	Element AC	STERLING code	(+ grade)	List price
10+	10+ (DD)	10+ (PD)	10+ (QD)	CSAM0045	R / S / A	£36.50
20+	20+ (DD)	20+ (PD)	20+ (QD)	CSAM0090	R / S / A	£39.80
35+	35+ (DD)	35+ (PD)	35+ (QD)	CSAM0125	R / S / A	£42.70
50+	50+ (DD)	50+ (PD)	50+ (QD)	CSAM0180	R / S / A	£49.30
70+	70+ (DD)	70+ (PD)	70+ (QD)	CSAM0290	R / S / A	£60.90
130+	130+ (DD)	130+ (PD)	130+ (QD)	CSAM0505	R / S / A	£79.80
170+	170+ (DD)	170+ (PD)	170+ (QD)	CSAM0685	R / S / A	£90.60
210+	210+ (DD)	210+ (PD)	210+ (QD)	CSAM0935	R / S / A	£114.30
310+	310+ (DD)	310+ (PD)	310+ (QD)	CSAM1295	R / S / A	£187.40
425+	425+ (DD)	210+ (PD)	425+ (QD)	CSAM1890	R / S / A	£200.80
550+	550+ (DD)	210+ (PD)	550+ (QD)	CSAM2430	R / S / A	£253.60


[Main Index](#)
[Elements index](#)

Alternative elements to fit OEM air filter housings

Beko Clearpoint

Housing	Element 5m	Element 1m	Element 0.01m	Element AC	STERLING code	(+ grade)	List price
S040	04 G	04 F	04 S	04A	CSBK04	P / M / S / A	£45.40
S050	05G	05 F	05 S	05A	CSBK05	P / M / S / A	£52.50
S055	06 G	06 F	06 S	06A	CSBK06	P / M / S / A	£59.00
S075	07 G	07 F	07 S	07A	CSBK07	P / M / S / A	£65.20
M010	10 G	10 F	10 S	10A	CSBK10	P / M / S / A	£74.10
M012	12G	12 F	12 S	12A	CSBK12	P / M / S / A	£77.80
M015	15 G	15 F	15 S	15A	CSBK15	P / M / S / A	£106.70
M018	18 G	18 F	18 S	18A	CSBK18	P / M / S / A	£121.00
M020	20 G	20 F	20 S	20A	CSBK20	P / M / S / A	£131.90
M022	22 G	22 F	22 S	22A	CSBK22	P / M / S / A	£159.90
M023	23 G	23 F	23 S	23A	CSBK23	P / M / S / A	£198.00
M025	25 G	25 F	25 S	25A	CSBK25	P / M / S / A	£257.70
M027	27 G	27 F	27 S	27A	CSBK27	P / M / S / A	£279.00
M030	30 G	30 F	30 S	30A	CSBK30	P / M / S / A	£380.10
M032	32 G	32 F	32 S	32A	CSBK32	P / M / S / A	£429.40

Boge (current 'F' range)

Housing	Element 1m	Element 0.01m	Element AC	STERLING code	(+ grade)	List price
F6	F6 P	F6 M	F6A	CSEV 010	AO / AA / AC	£45.40
F9 or F12	F9 P or F12 P	F9 M or F12 M	F9 A or F12 A	CSEV 015	AO / AA / AC	£53.60
F18	F18 P	F18 M	F18A	CSEV 020	AO / AA / AC	£61.10
F36	F36 P	F36 M	F36A	CSEV 025	AO / AA / AC	£67.40
F65	F65 P	F65 M	F65A	CSEV 030	AO / AA / AC	£74.70
F95	F95 P	F95 M	F95A	CSEV 035	AO / AA / AC	£106.40
F130	F130 P	F130 M	F130A	CSEV 040	AO / AA / AC	£127.90
F190	F190 P	F190 M	F190A	CSEV 045	AO / AA / AC	£153.30
F260	F260 P	F260 M	F260A	CSEV 050	AO / AA / AC	£172.80
F380	F380 P	F380 M	F380A	CSEV 055	AO / AA / AC	£247.00

Boge (older, pre 'F' range approx 2014 on)

Housing	Element 3m	Element 0.01m	Element AC	STERLING code	(+ grade)	List price
5	5 V	5 FP	5A	CSB1/5	V / X / A	£22.00
10	10 V	10 FP	10A	CSB1/10	V / X / A	£23.00
12	12 V	12 FP	12A	CSB1/12	V / X / A	£29.00
20	20 V	20 FP	20A	CSB1/20	V / X / A	£37.00
30	30 V	30 FP	30A	CSB1/30	V / X / A	£46.00
50	50 V	50 FP	50A	CSB1/50	V / X / A	£61.00
80	80 V	80 FP	80A	CSB1/80	V / X / A	£79.00
120	120 V	120 FP	120A	CSB1/120	V / X / A	£101.00
160	160 V	160 FP	160A	CSB1/160	V / X / A	£145.00
250	250 V	250 FP	250A	CSB1/250	V / X / A	£177.00

Compair Broomwade (pre 1995)

Housing	Element 1m	Element 0.01m	Element AC	STERLING code	(+ grade)	List price
6A	98245 121	98245 141	98245 161	CS009	AO / AA / AC	£23.50
13A	98245 122	98245 142	98245 162	CS017	AO / AA / AC	£33.40
25A	98245 123	98245 143	98245 163	CS030	AO / AA / AC	£41.10
40A	98245 125	98245 145	98245 165	CS058	AO / AA / AC	£56.40
65A/85A	98245 126	98245 146	98245 166	CS145	AO / AA / AC	£73.80
170A/195A	98245 127	98245 147	98245 167	CS220	AO / AA / AC	£95.70
295A	98245 128	98245 148	98245 168	CS330	AO / AA / AC	£137.50
375A/400A	98245 129	98245 149	98245 169	CS430	AO / AA / AC	£192.90
500A	98245 130	98245 150	98245 170	CS620	AO / AA / AC	£259.90


[Main Index](#)
[Elements index](#)

Alternative elements to fit OEM air filter housings

Compair Hydrovane (pre 1995)

Housing	Element 1m	Element 0.01m	Element AC	STERLING code	(+ grade)	List price
100	GP 100 E	HE 100 E	OR 100 E	CS009	AO / AA / AC	£23.50
150	GP 150 E	HE 150 E	OR 150 E	CS017	AO / AA / AC	£33.40
200	GP 200 E	HE 200 E	OR 200 E	CS030	AO / AA / AC	£41.10
250	GP 250 E	HE 250 E	OR 250 E	CS058	AO / AA / AC	£56.40
300/350	GP 300E/GP 350E	HE 300E/HE 350E	OR 300E/OR 350E	CS145	AO / AA / AC	£73.80
375/400	GP 375E/GP400E	HE 375E/HE 400E	OR 375E/OR 400E	CS220	AO / AA / AC	£95.70
450/500	GP 450E/GP500E	HE 450E/HE 500E	OR 450E/OR 500E	CS330	AO / AA / AC	£137.50
520/530	GP 520E/GP530E	HE 520E/HE 530E	OR 520E/OR 530E	CS430	AO / AA / AC	£192.90
600	GP 600 E	HE 600 E	OR 600 E	CS620	AO / AA / AC	£259.90

Compair (Current 'CF' & 'X' ranges) Fits both 'GB' & 'NB' versions

Housing	Element 1m	Element 0.01m	Element AC	STERLING code	(+ grade)	List price
CE0006N	010AO	010AA	010AC	CSEV 010	AO / AA / AC	£45.40
CE012N	015AO	015AA	015AC	CSEV 015	AO / AA / AC	£53.60
CE0018N	020AO	020AA	020AC	CSEV 020	AO / AA / AC	£61.10
CE0036N	025AO	025AA	025AC	CSEV 025	AO / AA / AC	£67.40
CE0066N	030AO	030AA	030AC	CSEV 030	AO / AA / AC	£74.70
CE0096N	035AO	035AA	035AC	CSEV 035	AO / AA / AC	£106.40
CE0132N	040AO	040AA	040AC	CSEV 040	AO / AA / AC	£127.90
CE0198N	045AO	045AA	045AC	CSEV 045	AO / AA / AC	£153.30
CE0258N	050AO	050AA	050AC	CSEV 050	AO / AA / AC	£172.80
CE0372N	055AO	055AA	055AC	CSEV 055	AO / AA / AC	£247.00
CE0600N	060AO	060AA	060AC	CSEV 060	AO / AA / AC	£170.40

Compair (Pre 'CF' & 'X' ranges)

Housing	Element 1m	Element 0.01m	Element AC	STERLING code	(+ grade)	List price
6	CE0005 B	CE0005 C	CE0005 D	CSC 006	AO / AA / AC	£27.30
12	CE0010 B	CE0010 C	CE0010 D	CSC 012	AO / AA / AC	£38.80
18	CE0018 B	CE0018 C	CE0018 D	CSC 018	AO / AA / AC	£50.40
36	CE0036 B	CE0036 C	CE0036 D	CSC 036	AO / AA / AC	£71.10
048/072/087	CE0048/72/87 B	CE0048/72/87 C	CE0048/72/87 D	CSC 048	AO / AA / AC	£93.10
0120/0132	CE0120/132 B	CE0120/132 C	CE0120/132 D	CSC 120	AO / AA / AC	£122.80
198	CE0198 B	CE0198 C	CE0198 D	CSC 198	AO / AA / AC	£178.30
240/258	CE0240/258 B	CE0240/258 C	CE0240/258 D	CSC 240	AO / AA / AC	£253.20
372	CE0372 B	CE0372 C	CE0372 D	CSC 372	AO / AA / AC	£341.20

CP (Current)

Housing	Element 1m	Element 0.01m	Element AC	STERLING code	(+ grade)	List price
FILTER 45	45 P	45 C	45 V	CSAM0045	R / S / A	£36.50
FILTER 90	90 P	90 C	90 V	CSAM0090	R / S / A	£39.80
FILTER 125	125 P	125 C	125 V	CSAM0125	R / S / A	£42.70
FILTER 180	180 P	180 C	180 V	CSAM0180	R / S / A	£49.30
FILTER 290	290 P	290 C	290 V	CSAM0290	R / S / A	£60.90
FILTER 505	505 P	505 C	505 V	CSAM0505	R / S / A	£79.80
FILTER 685	685 P	685 C	685 V	CSAM0685	R / S / A	£90.60
FILTER 935	935 P	935 C	935 V	CSAM0935	R / S / A	£114.30
FILTER 1295	1295 P	1295 C	1295 V	CSAM1295	R / S / A	£187.40
FILTER 1890	1890 P	1890 C	1890 V	CSAM1890	R / S / A	£200.80
FILTER 2430	2430 P	2430 C	2430 V	CSAM2430	R / S / A	£253.60


[Main Index](#)
[Elements index](#)

Alternative elements to fit OEM air filter housings

Domnick Hunter (pre 1995)

Housing	Element 5m	Element 1m	Element 0.01m	Element AC	STERLING code	(+ grade)	List price
009G/006G	K009 / K006 PF	K009 / K006 GPP	K009 / K006 OFP	K009 / K006AC	CS009	PF / AO / AA / AC	£23.50
017G/013G	K017 / K013 P	K017 / K013 GPP	K017 / K013 OFP	K017 / K013AC	CS017	PF / AO / AA / AC	£33.40
030G/025G	K030 / K025 PF	K030 / K025 GPP	K030 / K025 OFP	K030 / K025AC	CS030	PF / AO / AA / AC	£41.10
058G/040G	K058 / K040 PF	K058 / K040 GPP	K058 / K040 OFP	K058 / K040AC	CS058	PF / AO / AA / AC	£56.40
145G/085G	K145 / K085 PF	K145 / K085 GPP	K145 / K085 OFP	K145 / K085AC	CS145	PF / AO / AA / AC	£73.80
220G/195G	K220 / K195 PF	K220 / K195 GPP	K220 / K195 OFP	K220 / K195AC	CS220	PF / AO / AA / AC	£95.70
330G/295G	K330 / K295 PF	K330 / K295 GPP	K330 / K295 OFP	K330 / K295AC	CS330	PF / AO / AA / AC	£137.50
430G/400G	K430 / K400 PF	K430 / K400 GPP	K430 / K400 OFP	K430 / K400AC	CS430	PF / AO / AA / AC	£192.90
620G/500G	K620 / K500 PF	K620 / K500 GPP	K620 / K500 OFP	K620 / K500AC	CS620	PF / AO / AA / AC	£259.90

Domnick Hunter (Evolution)

Housing	Element 1m	Element 0.01m	Element AC	STERLING code	(+ grade)	List price
DH 005	005AO	005AA	005AC	CSEV 005	AO / AA / AC	£35.30
DH 010	010AO	010AA	010AC	CSEV 010	AO / AA / AC	£45.40
DH 015	015AO	015AA	015AC	CSEV 015	AO / AA / AC	£53.60
DH 020	020AO	020AA	020AC	CSEV 020	AO / AA / AC	£61.10
DH 025	025AO	025AA	025AC	CSEV 025	AO / AA / AC	£67.40
DH 030	030AO	030AA	030AC	CSEV 030	AO / AA / AC	£74.70
DH 035	035AO	035AA	035AC	CSEV 035	AO / AA / AC	£106.40
DH 040	040AO	040AA	040AC	CSEV 040	AO / AA / AC	£127.90
DH 045	045AO	045AA	045AC	CSEV 045	AO / AA / AC	£153.30
DH 050	050AO	050AA	050AC	CSEV 050	AO / AA / AC	£172.80
DH 055	055AO	055AA	055AC	CSEV 055	AO / AA / AC	£247.00
DH 060	060AO	060AA	060AC	CSEV 060	AO / AA / AC	£170.40
DH 100	100AO	100AA	100AC	CSEV 100	AO / AA / AC	£231.10
DH 150	150AO	150AA	150AC	CSEV 150	AO / AA / AC	£252.60
DH 200	200AO	200AA	200AC	CSEV 200	AO / AA / AC	£329.80

Hankison (Aluminium end caps - factory order probably req'd)

Housing	Element 3m	Element 1m	Element 0.01m	Element AC	STERLING code	(+ grade)	List price
HF12	E 9 12	E 7 12	E 5 12	E 1 12	CS	9 / 7 / 5 / 1 E12	£93.20
HF16	E 9 16	E 7 16	E 5 16	E 1 16	CS	9 / 7 / 5 / 1 E16	£98.60
HF20	E 9 20	E 7 20	E 5 20	E 1 20	CS	9 / 7 / 5 / 1 E20	£103.00
HF24	E 9 24	E 7 24	E 5 24	E 1 24	CS	9 / 7 / 5 / 1 E24	£115.40
HF28	E 9 28	E 7 28	E 5 28	E 1 28	CS	9 / 7 / 5 / 1 E28	£130.40
HF32	E 9 32	E 7 32	E 5 32	E 1 32	CS	9 / 7 / 5 / 1 E32	£159.00
HF36	E 9 36	E 7 36	E 5 36	E 1 36	CS	9 / 7 / 5 / 1 E36	£203.90
HF40	E 9 40	E 7 40	E 5 40	E 1 40	CS	9 / 7 / 5 / 1 E40	£256.50
HF44	E 9 44	E 7 44	E 5 44	E 1 44	CS	9 / 7 / 5 / 1 E44	£274.00
HF48	E 9 48	E 7 48	E 5 48	E 1 48	CS	9 / 7 / 5 / 1 E48	£287.40
HF52	E 9 52	E 7 52	E 5 52	E 1 52	CS	9 / 7 / 5 / 1 E52	£488.00
HF54	E 9 54	E 7 54	E 5 54	E 1 54	CS	9 / 7 / 5 / 1 E54	£488.00

Hankison NGF range (Also fits Deltech 300 range)

Housing	Element 5m	Element 1m	Element 0.01m	Element AC	STERLING code	(+ grade)	List price
NGF 02	02-SF	02-PF	02-HF	02-CF	CSD02	S / P / H / C/ 3	£116.40
NGF 03	03-SF	03-PF	03-HF	03-CF	CSD03	S / P / H / C/ 3	£120.60
NGF 04	04-SF	04-PF	04-HF	04-CF	CSD04	S / P / H / C/ 3	£137.20
NGF 06	06-SF	06-PF	06-HF	06-CF	CSD06	S / P / H / C/ 3	£159.30
NGF 07	07-SF	07-PF	07-HF	07-CF	CSD07	S / P / H / C/ 3	£189.80
NGF 08	08-SF	08-PF	08-HF	08-CF	CSD08	S / P / H / C/ 3	£212.70
NGF 10	10-SF	10-PF	10-HF	10-CF	CSD10	S / P / H / C/ 3	£239.60
NGF 11	11-SF	11-PF	11-HF	11-CF	CSD11	S / P / H / C/ 3	£296.90
NGF 12	12-SF	12-PF	12-HF	12-CF	CSD12	S / P / H / C/ 3	£346.90
NGF 13	13-SF	13-PF	13-HF	13-CF	CSD13	S / P / H / C/ 3	£463.00
NGF 14	14-SF	14-PF	14-HF	14-CF	CSD14	S / P / H / C/ 3	£504.50
NGF 15	15-SF	15-PF	15-HF	15-CF	CSD15	S / P / H / C/ 3	£539.20
NGF 16	16-SF	16-PF	16-HF	16-CF	CSD16	S / P / H / C/ 3	£620.30
NGF 17	17-SF	17-PF	17-HF	17-CF	CSD17	S / P / H / C/ 3	£699.80


[Main Index](#)
[Elements index](#)

Alternative elements to fit OEM air filter housings

Hiross

Housing	Element 5m	Element 1m	Element 0.01m	Element AC	STERLING code (+ grade)	List price
HF 004/010	HF 004 Q	HF 004 P	HF 004 S	HF 004 C	CSH 004 Q / P / S / C	£29.00
HF 007/016	HF 007 Q	HF 007 P	HF 007 S	HF 007 C	CSH 007 Q / P / S / C	£34.00
HF 015/022	HF 015 Q	HF 015 P	HF 015 S	HF 015 C	CSH 015 Q / P / S / C	£36.00
HF 024/030	HF 024 Q	HF 024 P	HF 024 S	HF 024 C	CSH 024 Q / P / S / C	£42.00
HF 035/045	HF 035 Q	HF 035 P	HF 035 S	HF 035 C	CSH 035 Q / P / S / C	£49.00
HF 060/072	HF 060 Q	HF 060 P	HF 060 S	HF 060 C	CSH 060 Q / P / S / C	£64.00
HF 090/135	HF 090 Q	HF 090 P	HF 090 S	HF 090 C	CSH 090 Q / P / S / C	£80.00
HF 120/205	HF 120 Q	HF 120 P	HF 120 S	HF 120 C	CSH 120 Q / P / S / C	£105.00
HF 150/180	HF 150 Q	HF 150 P	HF 150 S	HF 150 C	CSH 150 Q / P / S / C	£119.00
HF 175	HF 175 Q	HF 175 P	HF 175 S	HF 175 C	CSH 175 Q / P / S / C	£102.00
HF 200/260	HF 200 Q	HF 200 P	HF 200 S	HF 200 C	CSH 200 Q / P / S / C	£198.00
HF 240/280	HF 240 Q	HF 240 P	HF 240 S	HF 240 C	CSH 240 Q / P / S / C	£198.00
HF 250	HF 250 Q	HF 250 P	HF 250 S	HF 250 C	CSH 250 Q / P / S / C	£213.00
HF 300	HF 300 Q	HF 300 P	HF 300 S	HF 300 C	CSH 300 Q / P / S / C	£150.00
HF 370	HF 370 Q	HF 240 P	HF 240 S	HF 240 C	CSH 240 Q / P / S / C	£198.00

Hi-Line Industries

Housing	Element 3m	Element 1m	Element 0.01m	Element AC	STERLING code (+ grade)	List price
HF25-N	HE15 2	HE15 3	HE15 4	HE15 5	CS 1030 V / Z / X / A	£20.20
HF36-N	HE36 2	HE36 3	HE36 4	HE36 5	CS 1050 V / Z / X / A	£23.50
HF50-N	HE50 2	HE50 3	HE50 4	HE50 5	CS 1070 V / Z / X / A	£28.90
HF72-N	HE72 2	HE72 3	HE72 4	HE72 5	CS 1140 V / Z / X / A	£37.30
HF75-N	HE72 2	HE72 3	HE72 4	HE72 5	CS 1140 V / Z / X / A	£37.30
HF120-N	HE120 2	HE120 3	HE120 4	HE120 5	CS 2010 V / Z / X / A	£47.00
HF210-N	HE210 2	HE210 3	HE210 4	HE210 5	CS 2020 V / Z / X / A	£61.10
HF320-N	HE320 2	HE320 3	HE320 4	HE320 5	CS 2030 V / Z / X / A	£80.00
HF500-N	HE500 2	HE500 3	HE500 4	HE500 5	CS 2050 V / Z / X / A	£102.10
HF630-N	HE630 2	HE630 3	HE630 4	HE630 5	CS 3050 V / Z / X / A	£146.30
HF850-N	HE850 2	HE850 3	HE850 4	HE850 5	CS 3075 V / Z / X / A	£178.00
HF1400-N	HE1400 2	HE1400 3	HE1400 4	HE1400 5	CS 5060 V / Z / X / A	£240.10
HF1700-N	HE1700 2	HE1700 3	HE1700 4	HE1700 5	CS 5075 V / Z / X / A	£262.00

HPC (pre 2005) For HPC elements between 2005 - to 2017 see DH Evolution elements

Housing	Element 5m	Element 1m	Element 0.01m	Element AC	STERLING code (+ grade)	List price
009G/006G	K009 / K006 PF	K009 / K006AO	K009 / K006AA	K009 / K006ACS	CS009 PF / AO / AA / ACS	£23.50
017G/013G	K017 / K013 PF	K017 / K013AO	K017 / K013AA	K017 / K013ACS	CS017 PF / AO / AA / ACS	£33.40
030G/025G	K030 / K025 PF	K030 / K025AO	K030 / K025AA	K030 / K025ACS	CS030 PF / AO / AA / ACS	£41.10
058G/040G	K058 / K040 PF	K058 / K040AO	K058 / K040AA	K058 / K040ACS	CS058 PF / AO / AA / ACS	£56.40
145G/085G	K145 / K085 PF	K145 / K085AO	K145 / K085AA	K145 / K085ACS	CS145 PF / AO / AA / ACS	£73.80
220G/195G	K220 / K195 PF	K220 / K195AO	K220 / K195AA	K220 / K195ACS	CS220 PF / AO / AA / ACS	£95.70
330G/295G	K330 / K295 PF	K330 / K295AO	K330 / K295AA	K330 / K295ACS	CS330 PF / AO / AA / ACS	£137.50
430G/400G	K430 / K400 PF	K430 / K400AO	K430 / K400AA	K430 / K400ACS	CS430 PF / AO / AA / ACS	£192.90
620G/500G	K620 / K500 PF	K620 / K500 AO	K620 / K500 AA	K620 / K500 ACS	CS620 PF / AO / AA / ACS	£259.90


[Main Index](#)
[Elements index](#)

Alternative elements to fit OEM air filter housings

Ingersoll Rand - AC series (note sizes 19, 40 & 64 are not available)

Housing	Element 1m	Element 0.01m	Element AC	STERLING code	(+ grade)	List price
123	123 GP	123 HE	123 AC	CSIR123	/ GP / HE / AC	£191.60
216	216 GP	216 HE	216 AC	CSIR216	/ GP / HE / AC	£201.40
275	275 GP	275 HE	275 AC	CSIR275	/ GP / HE / AC	£225.00
350	350 GP	350 HE	350 AC	CSIR350	/ GP / HE / AC	£298.20
481	481 GP	481 HE	481 AC	CSIR481	/ GP / HE / AC	£339.10
563	563 GP	563 HE	563 AC	CSIR563	/ GP / HE / AC	£333.60
706	706 GP	706 HE	706 AC	CSIR706	/ GP / HE / AC	£447.50
850	850 GP	850 HE	850 AC	CSIR850	/ GP / HE / AC	£629.00
1100	1100 GP	1100 HE	1100 AC	CSIR1100	/ GP / HE / AC	£735.60
1380	1380 GP	1380 HE	1380 AC	CSIR1380	/ GP / HE / AC	£779.90
424 (FLANGE)	424 GP	424 HE	424 AC	CSIR424F	/ GP / HE / AC	£177.70
699 (FLANGE)	699 GP	699 HE	699 AC	CSIR699F	/ GP / HE / AC	£250.10
1314 (FLANGE)	1314 GP	1314 HE	1314 AC	CSIR1314F	/ GP / HE / AC	£480.00

Ingersoll Rand - F series

Housing	Element 1m	Element 0.01m	Element AC	STERLING code	(+ grade)	List price
F35 I	35 IG	35 IH	35 IA	CSIRF_035I	/ G / H / A	£99.60
F71 I	71 IG	71 IH	71 IA	CSIRF_071I	/ G / H / A	£112.00
F108 I	108 IG	108 IH	108 IA	CSIRF_108I	/ G / H / A	£125.10
F144 I	144 IG	144 IH	144 IA	CSIRF_144I	/ G / H / A	£179.40
F178 I	178 IG	178 IH	178 IA	CSIRF_178I	/ G / H / A	£179.40
F212 I	212 IG	212 IH	212 IA	CSIRF_212I	/ G / H / A	£179.40
F395 I	395 IG	395 IH	395 IA	CSIRF_395I	/ G / H / A	£213.80
F424 I	424 IG	424 IH	424 IA	CSIRF_424I	/ G / H / A	£213.10
F577 I	577 IG	577 IH	577 IA	CSIRF_577I	/ G / H / A	£360.40
F791 I	791 IG	791 IH	791 IA	CSIRF_791I	/ G / H / A	£360.40
F985 I	985 IG	985 IH	985 IA	CSIRF_985I	/ G / H / A	£407.30
F1155 I	1155 IG	1155 IH	1155 IA	CSIRF_1155I	/ G / H / A	£453.00
F1529 I	1529 IG	1529 IH	1529 IA	CSIRF_1529I	/ G / H / A	£479.30
F1817 I	1817 IG	1817 IH	1817 IA	CSIRF_1817I	/ G / H / A	£578.20
F2378 I	2378 IG	2378 IH	2378 IA	CSIRF_2378I	/ G / H / A	£724.90

Ingersoll Rand - FA series

Housing	Element 1m	Element 0.01m	Element AC	STERLING code	(+ grade)	List price
FA30	FA30G	FA30H	FA30A	CSIRFA_030I	/ G / H / A	£112.20
FA40	FA40G	FA40H	FA40A	CSIRFA_040I	/ G / H / A	£118.60
FA75	FA75G	FA75H	FA75A	CSIRFA_075I	/ G / H / A	£127.30
FA110	FA110G	FA110H	FA110A	CSIRFA_110I	/ G / H / A	£135.20
FA150	FA150G	FA150H	FA150A	CSIRFA_150I	/ G / H / A	£191.70
FA190	FA190G	FA190H	FA190A	CSIRFA_190I	/ G / H / A	£200.30
FA230	FA230G	FA230H	FA230A	CSIRFA_230I	/ G / H / A	£216.80
FA400	FA400G	FA400H	FA400A	CSIRFA_400I	/ G / H / A	£237.30
FA490	FA490G	FA490H	FA490A	CSIRFA_490I	/ G / H / A	£247.60
FA600	FA600G	FA600H	FA600A	CSIRFA_600I	/ G / H / A	£268.80
FA800	FA800G	FA800H	FA800A	CSIRFA_800I	/ G / H / A	£283.80
FA1000	FA1000G	FA1000H	FA1000A	CSIRFA_1000I	/ G / H / A	£324.10
FA1200	FA1200G	FA1200H	FA1200A	CSIRFA_1200I	/ G / H / A	£406.80
FA1560	FA1560G	FA1560H	FA1560A	CSIRFA_1560I	/ G / H / A	£490.80
FA1830	FA1830G	FA1830H	FA1830A	CSIRFA_1830I	/ G / H / A	£536.90
FA2300	FA2300G	FA2300H	FA2300A	CSIRFA_2300I	/ G / H / A	£590.60
FA2700	FA2700G	FA2700H	FA2700A	CSIRFA_2700I	/ G / H / A	£622.10

Ingersoll Rand

Housing	Element 1m	Element 0.01m	Element AC	STERLING code	(+ grade)	List price
E4/5	E4 or E5 AO	E4 or E5 AA	E4 or E5 AC	CS009	AO / AA / ACS	£19.78
E8/10	E8 or E10 AO	E8 or E10 AA	E8 or E10 AC	CS017	AO / AA / ACS	£28.16
E15/18	E15 or E18 AO	E15 or E18 AA	E15 or E18 AC	CS030	AO / AA / ACS	£34.62
E24/36	E24 or E36 AO	E24 or E36 AA	E24 or E36 AC	CS058	AO / AA / ACS	£47.52
E39/48	E39 or E48 AO	E39 or E48 AA	E39 or E48 AC	CS145	AO / AA / ACS	£62.12
E105/119	E105 or E119 AO	E105 or E119 AA	E105 or E119 AC	CS220	AO / AA / ACS	£80.62
E180/198	E180 or E198 AO	E180 or E198 AA	E180 or E198 AC	CS330	AO / AA / ACS	£115.74
E239/240	E239 or E240 AO	E239 or E240 AA	E239 or E240 AC	CS430	AO / AA / ACS	£162.44
E300/372	E300 or E372 AO	E300 or E372 AA	E300 or E372 AC	CS620	AO / AA / ACS	£218.82



[Main Index](#)

[Elements index](#)

Alternative elements to fit OEM air filter housings

Kaeser (Aluminium end caps - factory order req'd)

Housing	Element 3m	Element 1m	Element 0.01m	Element AC	STERLING code (CS-grade-E##)	List price
6	E B 6	E C 6	E E 6	E G 6	CS 9 / 7 / 5 / 1 E12	£93.20
10	E B 10	E C 10	E E 10	E G 10	CS 9 / 7 / 5 / 1 E16	£98.60
18	E B 18	E C 18	E (E 18	E G 18	CS 9 / 7 / 5 / 1 E20	£103.00
28	E B 28	E C 28	E E 28	E G 28	CS 9 / 7 / 5 / 1 E24	£115.40
48	E B 48	E C 48	E E 48	E G 48	CS 9 / 7 / 5 / 1 E28	£130.40
71	E B 71	E C 71	E E 71	E G 71	CS 9 / 7 / 5 / 1 E32	£159.00
107	E B107	E C 107	E E 107	E G 107	CS 9 / 7 / 5 / 1 E36	£203.90
138	E B 138	E C 138	E E 138	E G 138	CS 9 / 7 / 5 / 1 E40	£256.50
177	E B 177	E C 177	E E 177	E G 177	CS 9 / 7 / 5 / 1 E44	£274.00
221	E B 221	E C 221	E E 221	E G 221	CS 9 / 7 / 5 / 1 E48	£287.40


[Main Index](#)
[Elements index](#)

Alternative elements to fit OEM air filter housings

Mark / Ceccato (pre 2013Appx)

Housing	Element 3m	Element 1m	Element 0.01m	Element AC	STERLING code	(+ grade)	List price
MC 10 H	10 FPRO	10 FPRE	10 FMM	10 FCA	CS 0056	P / R / S / A	£27.30
MC 13 H	13 FPRO	13 FPRE	13 FMM	13 FCA	CS 0076	P / R / S / A	£33.80
MC 20 H	20 FPRO	20 FPRE	20 FMM	20 FCA	CS 0106	P / R / S / A	£43.50
MC33 H	33 FPRO	33 FPRE	33 FMM	33 FCA	CS 0186	P / R / S / A	£54.80
MC 60 H	60 FPRO	60 FPRE	60 FMM	60 FCA	CS 0306	P / R / S / A	£77.20
MC 85 H	85 FPRO	85 FPRE	85 FMM	85 FCA	CS 0476	P / R / S / A	£93.40
MC 130 H	130 FPRO	130 FPRE	130 FMM	130 FCA	CS 0706	P / R / S / A	£119.10
MC 170 H	170 FPRO	170 FPRE	170 FMM	170 FCA	CS 0946	P / R / S / A	£170.60
MC 250 H	250 FPRO	250 FPRE	250 FMM	250 FCA	CS 1506	P / R / S / A	£207.80
MC 400 H	400 FPRO	400 FPRE	400 FMM	400 FCA	CS 2406	P / R / S / A	£306.00

Mark / Ceccato

Housing	Element 1m	Element 0.01m	Element AC	STERLING code	(+ grade)	List price
FILTER 45	45 P	45 C	45 V	CSAM0045	R / S / A	£36.50
FILTER 90	90 P	90 C	90 V	CSAM0090	R / S / A	£39.80
FILTER 125	125 P	125 C	125 V	CSAM0125	R / S / A	£42.70
FILTER 180	180 P	180 C	180 V	CSAM0180	R / S / A	£49.30
FILTER 290	290 P	290 C	290 V	CSAM0290	R / S / A	£60.90
FILTER 505	505 P	505 C	505 V	CSAM0505	R / S / A	£79.80
FILTER 685	685 P	685 C	685 V	CSAM0685	R / S / A	£90.60
FILTER 935	935 P	935 C	935 V	CSAM0935	R / S / A	£114.30
FILTER 1295	1295 P	1295 C	1295 V	CSAM1295	R / S / A	£187.40
FILTER 1890	1890 P	1890 C	1890 V	CSAM1890	R / S / A	£200.80
FILTER 2430	2430 P	2430 C	2430 V	CSAM2430	R / S / A	£253.60

MTA

Housing	Element 3m	Element 1m	Element 0.01m	Element AC	STERLING code	(+ grade)	List price
HEF 005	1/06050 P	1/06050 M	1/06050 S	1/06050A	CS 0056	P / R / S / A	£27.30
HEF 007	1/07050 P	1/07050 M	1/07050 S	1/07050A	CS 0076	P / R / S / A	£33.80
HEF 010	1/14050 P	1/14050 M	1/14050 S	1/14050A	CS 0106	P / R / S / A	£43.50
HEF 018	1/12075 P	1/12075 M	1/12075 S	1/12075A	CS 0186	P / R / S / A	£54.80
HEF 030	1/22075 P	1/22075 M	1/22075 S	1/22075A	CS 0306	P / R / S / A	£77.20
HEF 047	1/32075 P	1/32075 M	1/32075 S	1/32075A	CS 0476	P / R / S / A	£93.40
HEF 070	1/50075 P	1/50075 M	1/50075 S	1/50075A	CS 0706	P / R / S / A	£119.10
HEF 094	1/51090 P	1/51090 M	1/51090 S	1/51090A	CS 0946	P / R / S / A	£170.60
HEF 150	1/76090 P	1/76090 M	1/76090 S	1/76090A	CS 1506	P / R / S / A	£207.80
HEF 240	1/75140 P	1/75140 M	1/75140 S	1/75140A	CS 2406	P / R / S / A	£306.00

Omega (original OEM elements)

Housing	Element 3m	Element 1m	Element 0.01m	Element AC	STERLING code	(+ grade)	List price
AF 0056	06050 P	06050 R	06050 S	06050A	CS 0056	P / R / S / A	£27.30
AF 0076	07050 P	07050 R	07050 S	07050A	CS 0076	P / R / S / A	£33.80
AF 0106	14050 P	14050 R	14050 S	14050A	CS 0106	P / R / S / A	£43.50
AF 0186	12075 P	12075 R	12075 S	12075A	CS 0186	P / R / S / A	£54.80
AF 0306	22075 P	22075 R	22075 S	22075A	CS 0306	P / R / S / A	£77.20
AF 0476	32075 P	32075 R	32075 S	32075A	CS 0476	P / R / S / A	£93.40
AF 0706	50075 P	50075 R	50075 S	50075A	CS 0706	P / R / S / A	£119.10
AF 0946	51090 P	51090 R	51090 S	51090A	CS 0946	P / R / S / A	£170.60
AF 1506	76090 P	76090 R	76090 S	76090A	CS 1506	P / R / S / A	£207.80
AF 2406	75140 P	75140 R	75140 S	75140A	CS 2406	P / R / S / A	£306.00


[Main Index](#)
[Elements index](#)

Alternative elements to fit OEM air filter housings

OMI

Housing	Element 3m	Element 1m	Element 0.01m	Element AC	STERLING code (+ grade)	List price
0004 / 005	0004 QF	0004 PF	0004 HF	0004 CF	CSO 004 QF / PF / HF / CF	£26.00
0008 / 010	0008 QF	0008 PF	0008 HF	0008 CF	CSO 008 QF / PF / HF / CF	£33.30
0016 / 0018	0016 QF	0016 PF	0016 HF	0016 CF	CSO 016 QF / PF / HF / CF	£39.50
0025 / 0034	0025 QF	0025 PF	0025 HF	0025 CF	CSO 025 QF / PF / HF / CF	£43.70
0036 / 0050	0036 QF	0036 PF	0036 HF	0036 CF	CSO 036 QF / PF / HF / CF	£53.00
0060 / 0095	0060 QF	0060 PF	0060 HF	0060 CF	CSO 060 QF / PF / HF / CF	£65.70
0070	0070 QF	0070 PF	0070 HF	0070 CF	CSO 070 QF / PF / HF / CF	£72.80
0090 / 0125	0090 QF	0090 PF	0090 HF	0090 CF	CSO 090 QF / PF / HF / CF	£84.00
0120 / 0165	0120 QF	0120 PF	0120 HF	0120 CF	CSO 120 QF / PF / HF / CF	£110.30
0185 / 0220	0185 QF	0185 PF	0185 HF	0185 CF	CSO 185 QF / PF / HF / CF	£154.00

Puska

Housing	Element 3m	Element 1m	Element 0.01m	Element AC	STERLING code (+ grade)	List price
PM 10 H	10 PRO	10 PMO	10 PMM	10 PCA	CS 0056 P / R / S / A	£27.30
PM 13 H	13 PRO	13 PMO	13 PMM	13 PCA	CS 0076 P / R / S / A	£33.80
PM 20 H	20 PRO	20 PMO	20 PMM	20 PCA	CS 0106 P / R / S / A	£43.50
PM 33 H	33 PRO	33 PMO	33 PMM	33 PCA	CS 0186 P / R / S / A	£54.80
PM 60 H	60 PRO	60 PMO	60 PMM	60 PCA	CS 0306 P / R / S / A	£77.20
PM 85 H	85 PRO	85 PMO	85 PMM	85 PCA	CS 0476 P / R / S / A	£93.40
PM 130 H	130 PRO	130 PMO	130 PMM	130 PCA	CS 0706 P / R / S / A	£119.10
PM 170 H	170 PRO	170 PMO	170 PMM	170 PCA	CS 0946 P / R / S / A	£170.60
PM 250 H	250 PRO	250 PMO	250 PMM	250 PCA	CS 1506 P / R / S / A	£207.80
PM 400 H	400 PRO	400 PMO	400 PMM	400 PCA	CS 2406 P / R / S / A	£306.00

Pneumatech pre 2020 (for previous see ABAC pre 2013)

Housing	Element 1m	Element 0.01m	Element AC	STERLING code (+ grade)	List price
TF1	TF1 P	TF1 C	TF1 V	CSAM0045 R / S / A	£36.50
TF2	TF2 P	TF2 C	TF2 V	CSAM0090 R / S / A	£39.80
TF3	TF3 P	TF3 C	TF3 V	CSAM0125 R / S / A	£42.70
TF4	TF4 P	TF4 C	TF4 V	CSAM0180 R / S / A	£49.30
TF5	TF5 P	TF5 C	TF5 V	CSAM0290 R / S / A	£60.90
TF6	TF6 P	TF6 C	TF6 V	CSAM0505 R / S / A	£79.80
TF7	TF7 P	TF7 C	TF7 V	CSAM0685 R / S / A	£90.60
TF8	TF8 P	TF8 C	TF8 V	CSAM0935 R / S / A	£114.30
TF9	TF9 P	TF9 C	TF9 V	CSAM1295 R / S / A	£187.40
TF10	TF10 P	TF10 C	TF10 V	CSAM1890 R / S / A	£200.80
TF11	TF11 P	TF11 C	TF11 V	CSAM2430 R / S / A	£253.60

Sullair

Housing	Element 1m	Element 0.01m	Element AC	STERLING code (+ grade)	List price
423/431/443	250024-423	250024-431	250024-443	CS009 AO / AA / ACS	£23.50
424/432/444	250024-424	250024-432	250024-444	CS017 AO / AA / ACS	£33.40
425/433/445	250024-425	250024-433	250024-445	CS030 AO / AA / ACS	£41.10
426/434/446	250024-426	250024-434	250024-446	CS058 AO / AA / ACS	£56.40
427/435/447	250024-427	250024-435	250024-447	CS145 AO / AA / ACS	£73.80
428/436/448	250024-428	250024-436	250024-448	CS220 AO / AA / ACS	£95.70
429/437/449	250024-429	250024-437	250024-449	CS330 AO / AA / ACS	£137.50
644/655/656	250024-644	250024-655	250024-656	CS430 AO / AA / ACS	£192.90
430/438/441	250024-430	250024-438	250024-441	CS620 AO / AA / ACS	£259.90


[Main Index](#)
[Elements index](#)

Alternative elements to fit OEM air filter housings

Ultrafilter/Donaldson Series 90

Note: SMF grade (0.01 micron is also available with no price change - use suffix SMF)

Housing	Element 25m	Element 1m	Element 0.1m	Element AC	STERLING code	(+ grade)	List price
0001/0002	02/05 PE	02/05 FF	02/05 MF	02/05 AK	CS02/05	PE / FF / MF / AK	£31.10
0003/0004	03/05 PE	03/05 FF	03/05 MF	03/05 AK	CS03/05	PE / FF / MF / AK	£33.40
6	03/10 PE	03/10 FF	03/10 MF	03/10 AK	CS03/10	PE / FF / MF / AK	£34.30
9	04/10 PE	04/10 FF	04/10 MF	04/10 AK	CS04/10	PE / FF / MF / AK	£35.40
12	04/20 PE	04/20 FF	04/20 MF	04/20 AK	CS04/20	PE / FF / MF / AK	£38.00
18	05/20 PE	05/20 FF	05/20 MF	05/20 AK	CS05/20	PE / FF / MF / AK	£44.40
27	05/25 PE	05/25 FF	05/25 MF	05/25 AK	CS05/25	PE / FF / MF / AK	£49.10
36	07/25 PE	07/25 FF	07/25 MF	07/25 AK	CS07/25	PE / FF / MF / AK	£60.90
48	07/30 PE	07/30 FF	07/30 MF	07/30 AK	CS07/30	PE / FF / MF / AK	£70.30
72	10/30 PE	10/30 FF	10/30 MF	10/30 AK	CS10/30	PE / FF / MF / AK	£76.40
108	15/30 PE	15/30 FF	15/30 MF	15/30 AK	CS15/30	PE / FF / MF / AK	£95.40
144	20/30 PE	20/30 FF	20/30 MF	20/30 AK	CS20/30	PE / FF / MF / AK	£116.70
192	30/30 PE	30/30 FF	30/30 MF	30/30 AK	CS30/30	PE / FF / MF / AK	£152.00
288	30/50 PE	30/50 FF	30/50 MF	30/50 AK	CS30/50	PE / FF / MF / AK	£239.00

Donaldson DF range

Housing	Element 3m	Element 1m	Element 0.01m	Element AC	STERLING code	(+ grade)	List price
DF 0035	DF 0035 P	DF 0035 V	DF 0035 S	DF 0035 A	CSDFO035	P / V / S / A	£66.40
DF 0070	DF 0070 P	DF 0070 V	DF 0070 S	DF 0070 A	CSDFO070	P / V / S / A	£83.50
DF 0120	DF 0120 P	DF 0120 V	DF 0120 S	DF 0120 A	CSDFO120	P / V / S / A	£97.50
DF 0210	DF 0210 P	DF 0210 V	DF 0210 S	DF 0210 A	CSDFO210	P / V / S / A	£118.80
DF 0320	DF 0320 P	DF 0320 V	DF 0320 S	DF 0320 A	CSDFO320	P / V / S / A	£139.80
DF 0450	DF 0450 P	DF 0450 V	DF 0450 S	DF 0450 A	CSDFO450	P / V / S / A	£184.50
DF 0600	DF 0600 P	DF 0600 V	DF 0600 S	DF 0600 A	CSDFO600	P / V / S / A	£205.60
DF 0750	DF 0750 P	DF 0750 V	DF 0750 S	DF 0750 A	CSDFO750	P / V / S / A	£223.20
DF 1100	DF 1100 P	DF 1100 V	DF 1100 S	DF 1100 A	CSDFO1100	P / V / S / A	£297.80

Walker Filtration (Aluminium end caps - factory order req'd)

Housing	Element 5m	Element 1m	Element 0.01m	Element AC	STERLING code	(+ grade)	List price
A20	E361 X5	E361 X1	E361 XA	E361 AC	CSWE361	X5 / X1 / XA / AC	£65.60
A30	E371 X5	E371 X1	E371 XA	E371 AC	CSWE371	X5 / X1 / XA / AC	£67.10
A55	E511 X5	E511 X1	E511 XA	E511 AC	CSWE511	X5 / X1 / XA / AC	£75.10
A76	E711 X5	E711 X1	E711 XA	E711 AC	CSWE711	X5 / X1 / XA / AC	£108.10
A105	E811 X5	E811 X1	E811 XA	E811 AC	CSWE811	X5 / X1 / XA / AC	£126.00
A106	E731 X5	E731 X1	E731 XA	E731 AC	CSWE731	X5 / X1 / XA / AC	£131.60
A126	E821 X5	E821 X1	E821 XA	E821 AC	CSWE821	X5 / X1 / XA / AC	£151.40
A153/A203	E831 X5	E831 X1	E831 XA	E831 AC	CSWE831	X5 / X1 / XA / AC	£156.80
A205'	E851 X5	E851 X1	E851 XA	E851 AC	CSWE851	X5 / X1 / XA / AC	£208.90
A250/A305	E1251X5	E1251X1	E1251XA	E1251AC	CSWE1251	X5 / X1 / XA / AC	£316.10
A306	E1261 X5	E1261 X1	E1261 XA	E1261 AC	CSWE1261	X5 / X1 / XA / AC	£399.40
A308	E1281 X5	E1281 X1	E1281 XA	E1281 AC	CSWE1281	X5 / X1 / XA / AC	£407.90

Walker Filtration OWA Alfa

Housing	Element 5m	Element 1m	Element 0.01m	Element AC	STERLING code	(+ grade)	List price
E0304	E0304 X5	E0304 X1	E0304 XA	E0304 AC	CSWA304	X5 / X1 / XA / AC	£49.90
E0305	E0305 X5	E0305 X1	E0305 XA	E0305 AC	CSWA305	X5 / X1 / XA / AC	£55.30
EO406	EO406 X5	EO406 X1	EO406 XA	EO406 AC	CSWA406	X5 / X1 / XA / AC	£58.20
EO407	EO407 X5	EO407 X1	EO407 XA	EO407 AC	CSWA407	X5 / X1 / XA / AC	£62.70
E0413	E0413 X5	E0413 X1	E0413 XA	E0413 AC	CSWA413	X5 / X1 / XA / AC	£71.50
E0613	E0613 X5	E0613 X1	E0613 XA	E0613 AC	CSWA613	X5 / X1 / XA / AC	£82.10
E0620	E0620 X5	E0620 X1	E0620 XA	E0620 AC	CSWA620	X5 / X1 / XA / AC	£104.80
E0625	E0625 X5	E0625 X1	E0625 XA	E0625 AC	CSWA625	X5 / X1 / XA / AC	£115.80
E0730	E0730 X5	E0730 X1	E0730 XA	E0730 AC	CSWA730	X5 / X1 / XA / AC	£132.20
E0830	E0830 X5	E0830 X1	E0830 XA	E0830 AC	CSWA830	X5 / X1 / XA / AC	£141.90
E0860	E0860 X5	E0860 X1	E0860 XA	E0860 AC	CSWA860	X5 / X1 / XA / AC	£262.10
E1140	E1140 X5	E1140 X1	E1140 XA	E1140 AC	CSWA1140	X5 / X1 / XA / AC	£296.80
E1160	E1160 X5	E1160 X1	E1160 XA	E1160 AC	CSWA1160	X5 / X1 / XA / AC	£355.30
E1175	E1175 X5	E1175 X1	E1175 XA	E1175 AC	CSWA1175	X5 / X1 / XA / AC	£464.60


[Main Index](#)
[Elements index](#)

Alternative elements to fit OEM air filter housings

Worthington (Current) (For pre 2013 see ABAC)

Housing	Element 1m	Element 0.01m	Element AC	STERLING code	(+ grade)	List price
FILTER 45	45 P	45 C	45 V	CSAM0045	R / S / A	£36.50
FILTER 90	90 P	90 C	90 V	CSAM0090	R / S / A	£39.80
FILTER 125	125 P	125 C	125 V	CSAM0125	R / S / A	£42.70
FILTER 180	180 P	180 C	180 V	CSAM0180	R / S / A	£49.30
FILTER 290	290 P	290 C	290 V	CSAM0290	R / S / A	£60.90
FILTER 505	505 P	505 C	505 V	CSAM0505	R / S / A	£79.80
FILTER 685	685 P	685 C	685 V	CSAM0685	R / S / A	£90.60
FILTER 935	935 P	935 C	935 V	CSAM0935	R / S / A	£114.30
FILTER 1295	1295 P	1295 C	1295 V	CSAM1295	R / S / A	£187.40
FILTER 1890	1890 P	1890 C	1890 V	CSAM1890	R / S / A	£200.80
FILTER 2430	2430 P	2430 C	2430 V	CSAM2430	R / S / A	£253.60

Zander (Old)

Housing	Element 3m	Element 1m	Element 0.01m	Element AC	STERLING code	(+ grade)	List price
G2	1030 V	1030 Z	1030 X	1030 A	CS1030	V / Z / X / A	£20.20
G3	1050 V	1050 Z	1050 X	1050 A	CS1050	V / Z / X / A	£23.50
G5	1070 V	1070 Z	1070 X	1070 A	CS1070	V / Z / X / A	£28.90
G7	1140 V	1140 Z	1140 X	1140 A	CS1140	V / Z / X / A	£37.30
G9	2010 V	2010 Z	2010 X	2010 A	CS2010	V / Z / X / A	£47.00
G11	2020 V	2020 Z	2020 X	2020 A	CS2020	V / Z / X / A	£61.10
G12	2030 V	2030 Z	2030 X	2030 A	CS2030	V / Z / X / A	£80.00
G13	2050 V	2050 Z	2050 X	2050 A	CS2050	V / Z / X / A	£102.10
G14	3050 V	3050 Z	3050 X	3050 A	CS3050	V / Z / X / A	£146.30
G17	3075 V	3075 Z	3075 X	3075 A	CS3075	V / Z / X / A	£178.00
G19	5075 V	5075 Z	5075 X	5075 A	CS5075	V / Z / X / A	£262.00

Zander GL Range

Housing	Element 3m	Element 1m	Element 0.01m	Element AC	STERLING code	(+ grade)	List price
CP1008	CP1008VL	CP1008ZL	CP1008XL	CP1008A	CSEV010	PF / AO / AA / AC	£45.40
CP2010	CP2010VL	CP2010ZL	CP2010XL	CP2010A	CSEV015	PF / AO / AA / AC	£53.60
CP2020	CP2020VL	CP2020ZL	CP2020XL	CP2020A	CSEV020	PF / AO / AA / AC	£61.10
CP3025	CP3025VL	CP3025ZL	CP3025XL	CP3025A	CSEV025	PF / AO / AA / AC	£67.40
CP3040	CP3040VL	CP3040ZL	CP3040XL	CP3040A	CSEV030	PF / AO / AA / AC	£74.70
CP4040	CP4040VL	CP4040ZL	CP4040XL	CP4040A	CSEV035	PF / AO / AA / AC	£106.40
CP4050	CP4050VL	CP4050ZL	CP4050XL	CP4050A	CSEV040	PF / AO / AA / AC	£127.90
CP4065	CP4065VL	CP4065ZL	CP4065XL	CP4065A	CSEV045	PF / AO / AA / AC	£153.30
CP5065	CP5065VL	CP5065ZL	CP5065XL	CP5065A	CSEV050	PF / AO / AA / AC	£172.80
CP5080	CP5080VL	CP5080ZL	CP5080XL	CP5080A	CSEV055	PF / AO / AA / AC	£247.00


[Main Index](#)

Autodrains for air filter housings

A range of float drains to fit various common OEM filter housings



image #	Guide to housing compatibility	Thread size & float dia	STERLING Part code	Price for each drain per quantity			
				1-9 off	10-24 off	25-49 off	50+
1	STERLING CSH range , Atlas Copco (pre 2014) Omega, MTA, CTA, Domnick / Parker Evolution, Zander GL, Sotras, Boge (pre 2021), OMI, Hiross Fruilair, Ultrafilter 80 series, HPC (2012-2019). Comp-Air (2015-2022) Atlas Multi-brand (Abac, Worthington, Mark, Ceccato, Alup, CP, Puska) - pre 2014	1/2" BSP Ø36.8mm	IFD-AC-G20 Generally compatible with AOK16B	£36	£32.40	£30.24	£28.08
2	STERLING Premier range (2023+) , Atlas Copco+ and current multi-brand (Abac, Worthington, Mark, Ceccato, Alup, CP, Puska, Pneumatech)	3/8" BSP Ø36.8mm	IFD-AC-G17	£36	£32.40	£30.24	£28.08
3	DH OilX, A/C, Compair, Broomwade, Sullair, Hydrovane, Norgren — all pre 2013. I/R pre 2002, HPC pre 2012	M15.5 x 1.5 Ø38mm	IFD-DH-155	£15	£13.50	£12.60	£11.70
4	Zander(pre-GL), Boge(old), AFE, Hankison, Hi- Line, Alup/Almig, Kaeser (old), SPX, Flair, Knocks, Wilkerson	M14 x 1.25 Ø30mm	IFD-Z-14	£36	£32.40	£30.24	£28.08
5	Ultrafilter/Donaldson 90 series, SMC AF4000, Mikropor (old series)	M14 x 1.25 Ø38mm	IFD-UF-14	£15	£13.50	£12.60	£11.70
6	Walker (old), BEKO Clearpoint (original series)	M14 x 1.25 Ø38mm	IFD-W-14	£15	£13.50	£12.60	£11.70



[Main Index](#)

Condensate testing

STERLING's laboratory is equipped with high quality modern equipment capable of measuring the levels of oil in water to an accuracy of +/- 1 part per million.

If you'd like us to run a test for you or your customer either to check an installation or prior to quoting a new system, we'll need a representative sample of at least 500ml of condensate, and some details about the installation if applicable. For more information, please contact sales.

The service costs £50 which includes your printed report

Please note: This facility is offered as a service to customers, which will be performed correctly and reported accurately. However, we do not claim to operate a certified laboratory and if your requirement is for legal or similar purposes we recommend that you seek external and independent advice.

Training

STERLING's team has amassed many years of real world experience in condensate management; that's practical experience that you can't buy - yet it's important because there are so many variables to deal with.

We offer training courses on condensate management in general, and on our products in particular at a level to suit your team. For a general understanding of the topic and to gain a good awareness of the key to a good and trouble-free system should take no more than 2 to 3 hours

We'll come to you by appointment, and we're happy either to work with one individual or a group, whether sales or service biased and we'll tailor the content to suit.

Training services are usually free of charge to STERLING customers



[Main Index](#)

Company Details

Company Registration Number: 5844056

VAT Number: GB 897149564

Bank: HSBC

Bank sort code: 40-28-18

Bank Account Number: 91780395

BIC: HBUKGB4138F

IBAN: GB75HBUK40281891780395

Registered Office address

Stowegate House

Lombard Street

Lichfield

Staffs

WS13 6DP

Trading Address

STERLING Separation Ltd

Units 24 (H.O) and 22

Longford Industrial Estate

Longford Road

Bridgtown

Cannock

WS11 0DG

Telephone: +44 (0)1543 502010

email: sales@sterlingsep.com

website: www.sterlingsep.com